

CONTENT



01 COLLETS - TOOL HOLDING

**ER-COLLETS:
STD, HP & UP**



PG 10-19

**ER-SEALED
COLLETS**



PG 20-23

**ER-STEEL/
METALLIC SEALED
COLLETS**



PG 24-27

**ER-EXTERNAL
COOLANT COLLETS:
ECD (JET
SPRAY)**



PG 28-30

**ER-SHRINK
COLLETS**



PG 31-33

**ER-TAP
COLLETS**



PG 34-36

**ER-TAP &
SEALED
COLLETS**






PG 37-39

**ER-FLOATING TAP
COLLETS: WITH
AXIAL COMPEN-
SATION**



PG 40-42

<p>ER-QUICK CHANGE TAP COLLETS</p>  <p>PG 43-45</p>	<p>DNA (DEADNUTS ACCURATE) OR RTX COLLETS</p>  <p>PG 46-48</p>	<p>TAPPING ADAPTERS / COLLETS: QUICK CHANGE</p>  <p>PG 49-52</p>	<p>DA-COLLETS-REGULAR & SEALED</p>  <p>PG 53-55</p>
<p>TG-COLLETS: REGULAR & SEALED</p>  <p>PG 58-59</p>	<p>TGTAP COLLETS</p>  <p>PG 60-62</p>	<p>OZ/ECCOLLETS: REGULAR & SEALED</p>  <p>PG 63-65</p>	<p>SK-COLLETS (SUPER COLLETS)</p>  <p>PG 66-68</p>
<p>AF-COLLETS</p>  <p>PG 69-71</p>	<p>STRAIGHT COLLETS FOR MILLING CHUCKS</p>  <p>PG 72</p>	<p>COLLETS / REDUCTION SLEEVES FOR HYDRAULIC CHUCKS</p>  <p>PG 73-74</p>	<p>R8-COLLETS</p>  <p>PG 75-76</p>
<p>COLLET SETS:</p>  <p>PG 77</p>			
<h1>02 COLLETS - WORK HOLDING</h1>			
<p>5C-COLLETS: ROUND, HEX & SQUARE</p>  <p>PG 78-82</p>	<p>16C-COLLETS: ROUND, HEX & SQUARE</p>  <p>PG 83-86</p>	<p>3J COLLETS: ROUND, HEX & SQUARE</p>  <p>PG 87-90</p>	

COLLETS

TOOL HOLDING



**-ADVANCE
-ASPIRING
-ACCURATE**

ER-COLLETS

TECHNICAL INFORMATION:

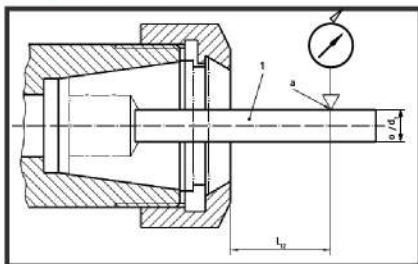
COLLET RUN-OUT TOLERANCES

TABLE - A SPECIFIES COLLET RUN-OUT TOLERANCES.

These tolerances are checked as is shown in Figure 4 by the introduction of a test mandrel into the collet. The diameter of the test mandrel is the nominal diameter of the collet. For the test mandrel, the following specifications apply:

- a) diameter tolerance: h6;
- b) cylindricity: 0,002 mm;
- c) parallelism: 0,002 mm;
- d) roundness: 0,002 mm;
- e) surface without longitudinal marks;
- f) maximum surface roughness $Rz = 4 \mu\text{m}$;
- g) surface hardness: (58^{+3}_0) HRC.

FIGURE - A



Key

- 1. Test mandrel
- 2. Test point.

Table - A — Collet run-out tolerance values as per ISO15488/DIN6499 standard

d1 H7 Nominal diameter		l12	Run-out tolerance a		
ABOVE	up to (included)		Standard	HP	UP
1(included)	1.6	6	0.015	0.01	0.005
1.6	3	10			
3	6	16			
6	10	25			
10	18	40	0.020	0.015	0.01
18	26	50			

Dimensions in millimetres

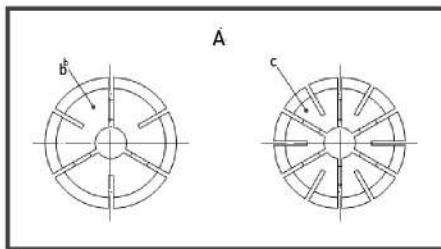
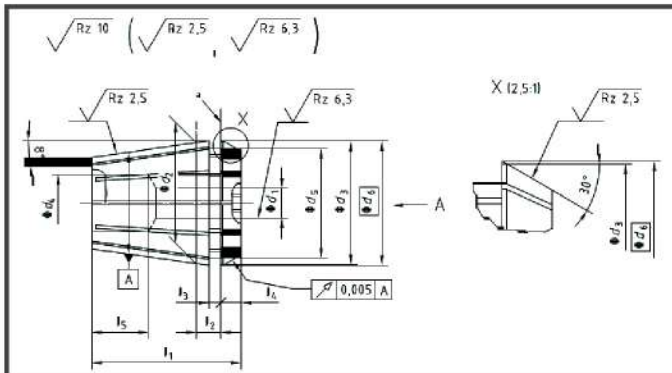
ER-COLLETS



COLLETS (FIGURE & DIMENSION)

Figure B

Tolerances in millimetres, surface roughness in micrometres



- a. Reference area.
- b. Form A, 6 to 8 slots
- c. Form B, 12 to 16 slots

Table B

Nominal size	d_1		d_2	d_3	d_4		d_5	d_6		l_1 max.	l_2		l_3		l_5 min.			
	H7																	
	Nominal diameter				Form			Form			Form		Form			Form		
	from (incl.)	up to (incl.)			A	B		A	B		A	B	A	B		A	B	
11	1	< 3	1	2,5	11	11,3	11,5	5	5	9,5	11,6	11,7	18	2	3,8	2	2	9
	3	6	3	7														
16	1	< 5	1	4	16	16,74	17	7	7,5	13,8	17,1	17,25	27,5	2,3	6,26	2,3	2,7	9
	5	10	5	10														
20	1	< 7	1	6	20	20,74	21	9	10	17,4	21,1	21,3	31,5	2,4	6,36	2,4	2,8	12
	7	13	7	13														
25	1	< 8	2	7	25	25,74	26	10	12	22	26,1	26,3	34	2,5	6,66	2,5	3,1	13
	8	16	8	16														
32	2	< 8	3	7	32	32,74	33	12	15	29,2	33,1	33,35	40	2,7	7,16	2,7	3,6	15
	8	20	8	20														
40	3	< 9	4	8	40	40,74	41	14	20	36,2	41,1	41,4	46	3,5	7,66	3,5	4,1	18
	9	26	9	26														

^a Form clamping range h10.

^b Clamping range $-0,5^0$.

^c Nominal size 16 to 40, clamping range $-0,5^0$ or, upon agreement, $-0,5^0$.

Dimensions in millimetres

ER-COLLETS

HOLDER (FIGURE & DIMENSION)

Figure C

Tolerances in millimetres, surface roughness in micrometres

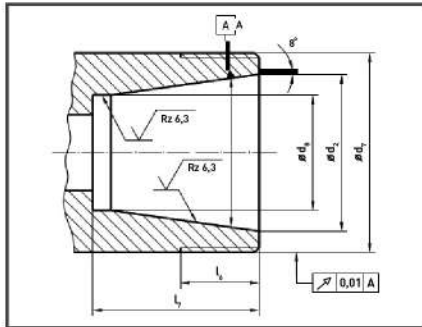


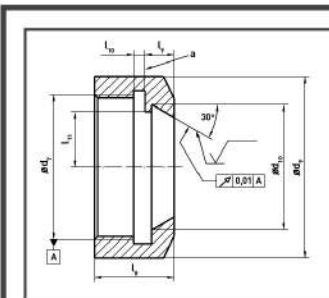
Table C

Nominal Size	11	16	20	25	32	40
$d_2 \pm 0,05$	11	16	20	25	32	40
$d_7 \text{ 6g}$	M14 x 0,75	M22 x 1,5	M25 x 1,5	M32 x 1,5	M40 x 1,5	M50 x 1,5
$d_8 + 0,50$	7,5	10,5	13,5	18	23,5	30,5
$l_6 \text{ min.}$	10	13	13,5	14	16	17
$l_7 \text{ min.}$	17	22	26,5	29	34	38
(Form A or B)						

NUT (FIGURE & DIMENSION)

See below Figure and Table

Tolerances in millimetres, surface roughness in micrometres



Nominal Size	d_{6H}	d_9	d_{10}	l_8	l_9	$l_{10} 0-0,2$	$l_{11} \text{ max.}$
11	M14 x 0,75	19	12,1	11,3	3,1	1	5
16	M22 x 1,5	32	17,71	17,5	4,7	1,1	7,2
20	M25 x 1,5	35	21,76	19	5,5	1,2	9,2
25	M32 x 1,5	42	26,64	20	5,7	1,3	11,5
32	M40 x 1,5	50	33,57	22,5	6,2	1,6	14,9
40	M50 x 1,5	63	41,86	25,5	7,7	2,1	18,5

ER-COLLETS

MOUNTING-INSTRUCTIONS

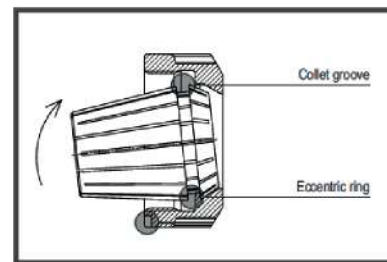
DIN 6499 / ISO 15488



Collets Type ER

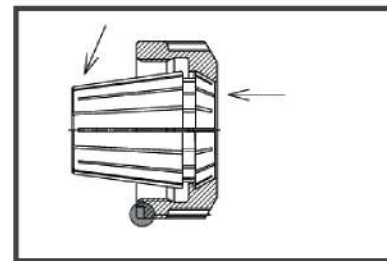
Assembling Instructions

Insert groove of collet into eccentric ring of the clamping nut at the mark on the bottom of the nut. Push collet in the direction of the arrow until it clicks in place. Screw nut with collet onto toolholder. We recommend to tighten the nut with a torque wrench



Disassembly Instructions

After the nut is unscrewed from the toolholder, press on the face of the collet while simultaneously pushing sideways on the back of the collet opposite the mark until it disengages from the clamping nut.



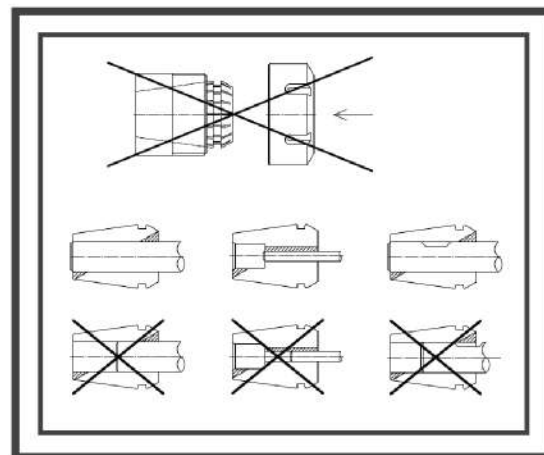
Improper assembly can permanently damage the concentricity of the collet and may result in the destruction of the clamping nut.

Only mount clamping nuts with correctly assembled collets!

Never clamp oversized tool shanks! E.g. never use a \varnothing 12–11 mm collet to clamp a \varnothing 12.2 mm shank. Rather use the next bigger collet (here \varnothing 12.5–11.5 mm or 13–12 mm collet).

Insert tool to the full length of the collet for best results if possible. However never insert the tool less than 2/3 of the collet bore length.

Improper tool insertion can permanently deform the collet and will result in poor runout.



ER-COLLETS

ACCURACY:



STANDARD PRECISION COLLETS

-below 15 micron
-0.00059"



HIGH PRECISION COLLETS

-below 10 micron
-0.00039"

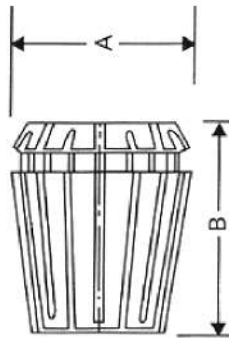


ULTRA PRECISION COLLETS

-below 5 micron
-0.00019"

**Super Polished collets are available

DIMENSIONS:



COLLET SERIES	REFERENCE #	A	B
ER 8	4004E	8.5mm (.335 in)	13.5mm (.531 in)
ER 11	4008E	11.5mm (.453 in)	18mm (.709 in)
ER 16	426E	17mm (.669 in)	27.5mm (1.063 in)
ER 20	428E	21mm (.827 in)	31.5mm (1.220 in)
ER 25	430E	26mm (1.024 in)	34mm (1.378 in)
ER 32	470E	33mm (1.299 in)	40mm (1.575 in)
ER 40	472E	41mm (1.614 in)	46mm (1.811 in)
ER 50	477E	52mm (2.047 in)	60mm (2.362 in)

FEATURES:

01

ACCU-FIX Precision Collets are as per ISO-15488 / DIN 6499 standard

02

Manufactured with SWISS Technology

03

Crafted from high quality European Spring steel

04

METRIC & INCH sizes

05

Fractional Collets manufactured specifically for USA market requirements

06

16 slot construction for rigid clamping and extra concentricity

07

ACCU-FIX Collets improve tool life, part finish and reduces spindle wear

08

Can be used for drilling, milling, tapping and reaming

09

Hardness: 44-48 HRC

10

All edges are not only deburred, but rounded for repeatability

ER COLLETS

Inch Size	MM Size	Dec. MM	ER8 4004E	ER11 4008E	ER16 426E	ER20 428E	ER25 430E	ER32 470E	ER40 472E	ER50 477E
1/32		0.79	ER8-1/32	ER11-1/32	ER16-1/32					
	1.0	1.00	ER8-1.0mm	ER11-1.0mm	ER16-1.0mm					
3/64		1.19	ER8-3/64	ER11-3/64	ER16-3/64					
	1.5	1.50	ER8-1.5mm	ER11-1.5mm	ER16-1.5mm					
5/64		1.98	ER8-5/64	ER11-5/64	ER16-5/64					
	2.0	2.00	ER8-2.0mm	ER11-2.0mm	ER16-2.0mm	ER20-2.0mm	ER25-2.0mm			
3/32		2.38	ER8-3/32	ER11-3/32	ER16-3/32	ER20-3/32	ER25-3/32			
	2.5	2.50	ER8-2.5mm	ER11-2.5mm	ER16-2.5mm	ER20-2.5mm	ER25-2.5mm			
7/64		2.78	ER8-7/64	ER11-7/64	ER16-7/64	ER20-7/64	ER25-7/64			
	3.0	3.00	ER8-3.0mm	ER11-3.0mm	ER16-3.0mm	ER20-3.0mm	ER25-3.0mm	ER32-3.0mm	ER40-3.0mm	
1/8		3.18	ER8-1/8	ER11-1/8	ER16-1/8	ER20-1/8	ER25-1/8	ER32-1/8	ER40-1/8	
	3.5	3.50	ER8-3.5mm	ER11-3.5mm	ER16-3.5mm	ER20-3.5mm	ER25-3.5mm	ER32-3.5mm	ER40-3.5mm	
9/64		3.57	ER8-9/64	ER11-9/64	ER16-9/64	ER20-9/64	ER25-9/64	ER32-9/64	ER40-9/64	
5/32		3.97	ER8-5/32	ER11-5/32	ER16-5/32	ER20-5/32	ER25-5/32	ER32-5/32	ER40-5/32	
	4.0	4.00	ER8-4.0mm	ER11-4.0mm	ER16-4.0mm	ER20-4.0mm	ER25-4.0mm	ER32-4.0mm	ER40-4.0mm	
11/64		4.37	ER8-11/64	ER11-11/64	ER16-11/64	ER20-11/64	ER25-11/64	ER32-11/64	ER40-11/64	
	4.5	4.50	ER8-4.5mm	ER11-4.5mm	ER16-4.5mm	ER20-4.5mm	ER25-4.5mm	ER32-4.5mm	ER40-4.5mm	
3/16		4.76	ER8-3/16	ER11-3/16	ER16-3/16	ER20-3/16	ER25-3/16	ER32-3/16	ER40-3/16	
	5.0	5.00	ER8-5.0mm	ER11-5.0mm	ER16-5.0mm	ER20-5.0mm	ER25-5.0mm	ER32-5.0mm	ER40-5.0mm	
13/64		5.16		ER11-13/64	ER16-13/64	ER20-13/64	ER25-13/64	ER32-13/64	ER40-13/64	
	5.5	5.50		ER11-5.5mm	ER16-5.5mm	ER20-5.5mm	ER25-5.5mm	ER32-5.5mm	ER40-5.5mm	
7/32		5.56		ER11-7/32	ER16-7/32	ER20-7/32	ER25-7/32	ER32-7/32	ER40-7/32	
15/64		5.95		ER11-15/64	ER16-15/64	ER20-15/64	ER25-15/64	ER32-15/64	ER40-15/64	
	6.0	6.00		ER11-6.0mm	ER16-6.0mm	ER20-6.0mm	ER25-6.0mm	ER32-6.0mm	ER40-6.0mm	
1/4		6.35		ER11-1/4	ER16-1/4	ER20-1/4	ER25-1/4	ER32-1/4	ER40-1/4	
	6.5	6.50		ER11-6.5mm	ER16-6.5mm	ER20-6.5mm	ER25-6.5mm	ER32-6.5mm	ER40-6.5mm	
17/64		6.75		ER11-17/64	ER16-17/64	ER20-17/64	ER25-17/64	ER32-17/64	ER40-17/64	
	7.0	7.00		ER11-7.0mm	ER16-7.0mm	ER20-7.0mm	ER25-7.0mm	ER32-7.0mm	ER40-7.0mm	
9/32		7.14			ER16-9/32	ER20-9/32	ER25-9/32	ER32-9/32	ER40-9/32	
	7.5	7.50			ER16-7.5mm	ER20-7.5mm	ER25-7.5mm	ER32-7.5mm	ER40-7.5mm	
19/64		7.54			ER16-19/64	ER20-19/64	ER25-19/64	ER32-19/64	ER40-19/64	
5/16		7.94			ER16-5/16	ER20-5/16	ER25-5/16	ER32-5/16	ER40-5/16	
	8.0	8.00			ER16-8.0mm	ER20-8.0mm	ER25-8.0mm	ER32-8.0mm	ER40-8.0mm	
21/64		8.33			ER16-21/64	ER20-21/64	ER25-21/64	ER32-21/64	ER40-21/64	
	8.5	8.50			ER16-8.5mm	ER20-8.5mm	ER25-8.5mm	ER32-8.5mm	ER40-8.5mm	
11/32		8.73			ER16-11/32	ER20-11/32	ER25-11/32	ER32-11/32	ER40-11/32	
	9.0	9.00			ER16-9.0mm	ER20-9.0mm	ER25-9.0mm	ER32-9.0mm	ER40-9.0mm	
23/64		9.13			ER16-23/64	ER20-23/64	ER25-23/64	ER32-23/64	ER40-23/64	
	9.5	9.50			ER16-9.5mm	ER20-9.5mm	ER25-9.5mm	ER32-9.5mm	ER40-9.5mm	
3/8		9.53			ER16-3/8	ER20-3/8	ER25-3/8	ER32-3/8	ER40-3/8	

ER COLLETS

INCH SIZE	MM SIZE	DEC. MM	ER8 4004E	ER11 4008E	ER16 426E	ER20 428E	ER25 430E	ER32 470E	ER40 472E	ER50 477E
25/64		9.92			ER16-25/64	ER20-25/64	ER25-25/64	ER32-25/64	ER40-25/64	
	10.0	10.00			ER16-10mm	ER20-10.0mm	ER25-10.0mm	ER32-10.0mm	ER40-10.0mm	
13/32		10.32				ER20-13/32	ER25-5-13/32	ER32-2-13/32	ER40-0-13/32	
	10.5	10.50				ER20-10.5mm	ER25-10.5mm	ER32-10.5mm	ER40-10.5mm	
27/64		10.72				ER20-27/64	ER25-27/64	ER32-27/64	ER40-27/64	
	11.0	11.00				ER20-11.0mm	ER25-11.0mm	ER32-11.0mm	ER40-11.0mm	
7/16		11.11				ER20-7/16	ER25-7/16	ER32-7/16	ER40-7/16	
	11.5	11.50				ER20-11.5mm	ER25-11.5mm	ER32-11.5mm	ER40-11.5mm	
29/64		11.51				ER20-29/64	ER25-29/64	ER32-29/64	ER40-29/64	
15/32		11.91				ER20-15/32	ER25-15/32	ER32-15/32	ER40-15/32	
	12.0	12.00				ER20-12.0mm	ER25-12.0mm	ER32-12.0mm	ER40-12.0mm	ER50-12.0mm
31/64		12.30				ER20-31/64	ER25-31/64	ER32-31/64	ER40-31/64	ER50-31/64
	12.5	12.50				ER20-12.5mm	ER25-12.5mm	ER32-12.5mm	ER40-12.5mm	ER50-12.5mm
1/2		12.70				ER20-1/2	ER25-1/2	ER32-1/2	ER40-1/2	ER50-1/2
	13.0	13.00				ER20-13.0mm	ER25-13.0mm	ER32-13.0mm	ER40-13.0mm	ER50-13.0mm
33/64		13.10				ER20-5/16	ER25-33/64	ER32-33/64	ER40-33/64	ER50-33/64
17/32		13.49				ER20-8.0mm	ER25-17/32	ER32-17/32	ER40-17/32	ER50-17/32
	13.5	13.50				ER20-21/64	ER25-13.5mm	ER32-13.5mm	ER40-13.5mm	ER50-13.5mm
35/64		13.89				ER20-8.5mm	ER25-35/64	ER32-35/64	ER40-35/64	ER50-35/64
	14.0	14.00				ER20-11/32	ER25-14.0mm	ER32-14.0mm	ER40-14.0mm	ER50-14.0mm
9/16		14.29				ER20-9.0mm	ER25-9/16	ER32-9/16	ER40-9/16	ER50-9/16
	14.5	14.50				ER20-23/64	ER25-14.5mm	ER32-14.5mm	ER40-14.5mm	ER50-14.5mm
37/64		14.68				ER20-9.5mm	ER25-37/64	ER32-37/64	ER40-37/64	ER50-37/64
	15.0	15.00				ER20-3/8	ER25-15.0mm	ER32-15.0mm	ER40-15.0mm	ER50-15.0mm
19/32		15.08					ER25-19/32	ER32-19/32	ER40-19/32	ER50-19/32
39/64		15.48					ER25-39/64	ER32-39/64	ER40-39/64	ER50-39/64
	15.5	15.50					ER25-15.5mm	ER32-15.5mm	ER40-15.5mm	ER50-15.5mm
5/8		15.88					ER25-5/8	ER32-5/8	ER40-5/8	ER50-5/8
	16.0	16.00					ER25-16.0mm	ER32-16.0mm	ER40-16.0mm	ER50-16.0mm
41/64		16.27						ER32-41/64	ER40-41/64	ER50-41/64
	16.5	16.50						ER32-16.5mm	ER40-16.5mm	ER50-16.5mm
21/32		16.67						ER32-21/32	ER40-21/32	ER50-21/32
	17.0	17.00						ER32-17.0mm	ER40-17.0mm	ER50-17.0mm
43/64		17.07						ER32-43/64	ER40-43/64	ER50-43/64
11/16		17.46						ER32-11/16	ER40-11/16	ER50-11/16
	17.5	17.50						ER32-17.5mm	ER40-17.5mm	ER50-17.5mm
45/64		17.86						ER32-45/64	ER40-45/64	ER50-45/64
	18.0	18.00						ER32-18.0mm	ER40-18.0mm	ER50-18.0mm
23/32		18.26						ER32-23/32	ER40-23/32	ER50-23/32

ER COLLETS

INCH SIZE	MM SIZE	DEC. MM	ER8 4004E	ER11 4008E	ER16 426E	ER20 428E	ER25 430E	ER32 470E	ER40 472E	ER50 477E
	19.0	19.00						ER32-19.0mm	ER40-19.0mm	ER50-19.0mm
3/4		19.05						ER32-3/4	ER40-3/4	ER50-3/4
49/64		19.45						ER32-49/64	ER40-49/64	ER50-49/64
	19.5	19.50						ER32-19.5mm	ER40-19.5mm	ER50-19.5mm
25/32		19.84						ER32-25/32	ER40-25/32	ER50-25/32
	20.0	20.00						ER32-20.0mm	ER40-20.0mm	ER50-20.0mm
51/64		20.24						ER32-51/64	ER40-51/64	ER50-51/64
	20.5	20.50						ER32-20.5mm	ER40-20.5mm	ER50-20.5mm
13/16		20.64						ER32-13/16	ER40-13/16	ER50-13/16
	21.0	21.00							ER40-21mm	ER50-21mm
53/64		21.03							ER40-53/64	ER50-53/64
27/32		21.43							ER40-27/32	ER50-27/32
	21.5	21.50							ER40-21.5mm	ER50-21.5mm
55/64		21.83							ER40-55/64	ER50-55/64
	22.0	22.00							ER40-22.0mm	ER50-22.0mm
7/8		22.23							ER40-7/8	ER50-7/8
	22.5	22.50							ER40-22.5mm	ER50-22.5mm
57/64		22.62							ER40-57/64	ER50-57/64
	23.0	23.00							ER40-23.0mm	ER50-23.0mm
29/32		23.02							ER40-29/32	ER50-29/32
59/64		23.42							ER40-59/64	ER50-59/64
	23.5	23.50							ER40-23.5mm	ER50-23.5mm
15/16		23.81							ER40-15/16	ER50-15/16
	24.0	24.00							ER40-24.0mm	ER50-24.0mm
61/64		24.21							ER40-61/64	ER50-61/64
	24.5	24.50							ER40-24.5mm	ER50-24.5mm
31/32		24.61							ER40-31/32	ER50-31/32
	25.0	25.00							ER40-25.0mm	ER50-25.0mm
63/64		25.00							ER40-63/64	ER50-63/64
	25.40								ER40-1	ER50-1
	25.5	25.50							ER40-25.5mm	ER50-25.5mm
	26.0	26.00							ER40-26.0mm	ER50-26.0mm
	27.00	27.00								ER50-27.0mm
	28.00	28.00								ER50-28.0mm
	29.00	29.00								ER50-29.0mm
	30.00	30.00								ER50-30.0mm
	31.00	31.00								ER50-31.0mm
	32.00	32.00								ER50-32.0mm
	33.00	33.00								ER50-33.0mm
	34.00	34.00								ER50-34.0mm

ER-SILICON SEALED COLLETS

ACCURACY:



STANDARD
PRECISION COLLETS

-below 15 micron
-0.00059"



HIGH
PRECISION COLLETS

-below 10 micron
-0.00039"

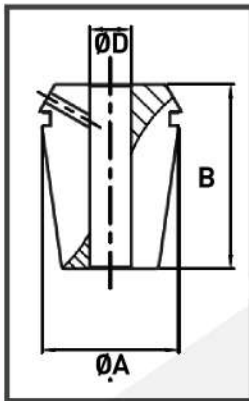


ULTRA
PRECISION COLLETS

-below 5 micron
-0.00019"

**Super Polished collets are available

DIMENSIONS:



COLLET SERIES	REFERENCE #	A	B
ER11 Sealed	4008E NC	11.3mm (0.444")	18mm (0.709")
ER16 Sealed	426E NC	16.74mm (0.659")	27.5mm (1.063")
ER20 Sealed	428E NC	20.74mm (0.817")	31.5mm (1.220")
ER25 Sealed	430E NC	25.74mm (1.013")	34mm (1.378")
ER32 Sealed	470E NC	32.74mm (1.289")	40mm (1.575")
ER40 Sealed	472E NC	40.74mm (1.604")	46mm (1.811")
ER50 Sealed	477E NC	51.5mm (2.027")	60mm (2.362")

FEATURES:

01

ER 11 through
ER 50

02

ER coolant collets are
designed for use with
shank tools with no flats.

03

Use of coolant collets
with tools that are not
cylindrical will result in
coolant leakage.

04

Sealed to 100
BAR / 1500 PSI

05

Only nominal size
can be clamped

06

High precision & Ultra
Precision Sealed Collets
are also available

ER-SILICON SEALED COLLETS

INCH SIZE	MM SIZE	DEC. MM	ER11 4008E NC	ER16 426E NC	ER20 428E NC	ER25 430E NC	ER32 470E NC	ER40 472E NC	ER50 477E NC
	3.0	3.00	ERC11-3.0mm	ERC16-3.0mm	ERC20-3.0mm	ERC25-3.0mm	ERC32-3.0mm	ERC40-3.0mm	
1/8		3.18	ERC11-1/8	ERC16-1/8	ERC20-1/8	ERC25-1/8	ERC32-1/8	ERC40-1/8	
	3.5	3.50	ERC11-3.5mm	ERC16-3.5mm	ERC20-3.5mm	ERC25-3.5mm	ERC32-3.5mm	ERC40-3.5mm	
9/64		3.57	ERC11-9/64	ERC16-9/64	ERC20-9/64	ERC25-9/64	ERC32-9/64	ERC40-9/64	
5/32		3.97	ERC11-5/32	ERC16-5/32	ERC20-5/32	ERC25-5/32	ERC32-5/32	ERC40-5/32	
	4.0	4.00	ERC11-4.0mm	ERC16-4.0mm	ERC20-4.0mm	ERC25-4.0mm	ERC32-4.0mm	ERC40-4.0mm	
11/64		4.37	ERC11-11/64	ERC16-11/64	ERC20-11/64	ERC25-11/64	ERC32-11/64	ERC40-11/64	
	4.5	4.50	ERC11-4.5mm	ERC16-4.5mm	ERC20-4.5mm	ERC25-4.5mm	ERC32-4.5mm	ERC40-4.5mm	
3/16		4.76	ERC11-3/16	ERC16-3/16	ERC20-3/16	ERC25-3/16	ERC32-3/16	ERC40-3/16	
	5.0	5.00	ERC11-5.0mm	ERC16-5.0mm	ERC20-5.0mm	ERC25-5.0mm	ERC32-5.0mm	ERC40-5.0mm	
13/64		5.16	ERC11-13/64	ERC16-13/64	ERC20-13/64	ERC25-13/64	ERC32-13/64	ERC40-13/64	
	5.5	5.50	ERC11-5.5mm	ERC16-5.5mm	ERC20-5.5mm	ERC25-5.5mm	ERC32-5.5mm	ERC40-5.5mm	
7/32		5.56	ERC11-7/32	ERC16-7/32	ERC20-7/32	ERC25-7/32	ERC32-7/32	ERC40-7/32	
15/64		5.95	ERC11-15/64	ERC16-15/64	ERC20-15/64	ERC25-15/64	ERC32-15/64	ERC40-15/64	
	6.0	6.00	ERC11-6.0mm	ERC16-6.0mm	ERC20-6.0mm	ERC25-6.0mm	ERC32-6.0mm	ERC40-6.0mm	
1/4		6.35	ERC11-1/4	ERC16-1/4	ERC20-1/4	ERC25-1/4	ERC32-1/4	ERC40-1/4	
	6.5	6.50	ERC11-6.5mm	ERC16-6.5mm	ERC20-6.5mm	ERC25-6.5mm	ERC32-6.5mm	ERC40-6.5mm	
17/64		6.75	ERC11-17/64	ERC16-17/64	ERC20-17/64	ERC25-17/64	ERC32-17/64	ERC40-17/64	
	7.0	7.00	ERC11-7.0mm	ERC16-7.0mm	ERC20-7.0mm	ERC25-7.0mm	ERC32-7.0mm	ERC40-7.0mm	
9/32		7.14		ERC16-9/32	ERC20-9/32	ERC25-9/32	ERC32-9/32	ERC40-9/32	
	7.5	7.50		ERC16-7.5mm	ERC20-7.5mm	ERC25-7.5mm	ERC32-7.5mm	ERC40-7.5mm	
19/64		7.54		ERC16-19/64	ERC20-19/64	ERC25-19/64	ERC32-19/64	ERC40-19/64	
5/16		7.94		ERC16-5/16	ERC20-5/16	ERC25-5/16	ERC32-5/16	ERC40-5/16	
	8.0	8.00		ERC16-8.0mm	ERC20-8.0mm	ERC25-8.0mm	ERC32-8.0mm	ERC40-8.0mm	
21/64		8.33		ERC16-21/64	ERC20-21/64	ERC25-21/64	ERC32-21/64	ERC40-21/64	
	8.5	8.50		ERC16-8.5mm	ERC20-8.5mm	ERC25-8.5mm	ERC32-8.5mm	ERC40-8.5mm	
11/32		8.73		ERC16-11/32	ERC20-11/32	ERC25-11/32	ERC32-11/32	ERC40-11/32	
	9.0	9.00		ERC16-9.0mm	ERC20-9.0mm	ERC25-9.0mm	ERC32-9.0mm	ERC40-9.0mm	
23/64		9.13		ERC16-23/64	ERC20-23/64	ERC25-23/64	ERC32-23/64	ERC40-23/64	
	9.5	9.50		ERC16-9.5mm	ERC20-9.5mm	ERC25-9.5mm	ERC32-9.5mm	ERC40-9.5mm	
3/8		9.53		ERC16-3/8	ERC20-3/8	ERC25-3/8	ERC32-3/8	ERC40-3/8	
25/64		9.92		ERC16-25/64	ERC20-25/64	ERC25-25/64	ERC32-25/64	ERC40-25/64	
	10.0	10.00		ERC16-10.0mm	ERC20-10.0mm	ERC25-10.0mm	ERC32-10.0mm	ERC40-10.0mm	
13/32		10.32			ERC20-15/32	ERC25-5-13/32	ERC32-2-13/32	ERC40-0-13/32	
	10.5	10.50			ERC20-12.0mm	ERC25-10.5mm	ERC32-10.5mm	ERC40-10.5mm	
27/64		10.72			ERC20-31/64	ERC25-27/64	ERC32-27/64	ERC40-27/64	
	11.0	11.00			ERC20-12.5mm	ERC25-11.0mm	ERC32-11.0mm	ERC40-11.0mm	
7/16		11.11			ERC20-1/2	ERC25-7/16	ERC32-7/16	ERC40-7/16	
	11.5	11.50			ERC20-13.0mm	ERC25-11.5mm	ERC32-11.5mm	ERC40-11.5mm	
29/64		11.51				ERC25-29/64	ERC32-29/64	ERC40-29/64	

ER-SILICON SEALED COLLETS

INCH SIZE	MM SIZE	DEC. MM	ER11 4008E NC	ER16 426E NC	ER20 428E NC	ER25 430E NC	ER32 470E NC	ER40 472E NC	ER50 477E NC
15/32		11.91				ERC25-15/32	ERC32-15/32	ERC40-15/32	
	12.0	12.00				ERC25-12.0mm	ERC32-12.0mm	ERC40-12.0mm	ERC50-12.0mm
31/64		12.30				ERC25-31/64	ERC32-31/64	ERC40-31/64	ERC50-31/64
	12.5	12.50				ERC25-12.5mm	ERC32-12.5mm	ERC40-12.5mm	ERC50-12.5mm
1/2		12.70				ERC25-1/2	ERC32-1/2	ERC40-1/2	ERC50-1/2
	13.0	13.00				ERC25-13.0mm	ERC32-13.0mm	ERC40-13.0mm	ERC50-13.0mm
33/64		13.10				ERC25-33/64	ERC32-33/64	ERC40-33/64	ERC50-33/64
17/32		13.49				ERC25-17/32	ERC32-17/32	ERC40-17/32	ERC50-17/32
	13.5	13.50				ERC25-13.5mm	ERC32-13.5mm	ERC40-13.5mm	ERC50-13.5mm
35/64		13.89				ERC25-35/64	ERC32-35/64	ERC40-35/64	ERC50-35/64
	14.0	14.00				ERC25-14.0mm	ERC32-14.0mm	ERC40-14.0mm	ERC50-14.0mm
9/16		14.29				ERC25-9/16	ERC32-9/16	ERC40-9/16	ERC50-9/16
	14.5	14.50				ERC25-14.5mm	ERC32-14.5mm	ERC40-14.5mm	ERC50-14.5mm
37/64		14.68				ERC25-37/64	ERC32-37/64	ERC40-37/64	ERC50-37/64
	15.0	15.00				ERC25-15.0mm	ERC32-15.0mm	ERC40-15.0mm	ERC50-15.0mm
19/32		15.08				ERC25-19/32	ERC32-19/32	ERC40-19/32	ERC50-19/32
39/64		15.48				ERC25-39/64	ERC32-39/64	ERC40-39/64	ERC50-39/64
	15.5	15.50				ERC25-15.5mm	ERC32-15.5mm	ERC40-15.5mm	ERC50-15.5mm
5/8		15.88				ERC25-5/8	ERC32-5/8	ERC40-5/8	ERC50-5/8
	16.0	16.00				ERC25-16.0mm	ERC32-16.0mm	ERC40-16.0mm	ERC50-16.0mm
41/64		16.27					ERC32-41/64	ERC40-41/64	ERC50-41/64
	16.5	16.50					ERC32-16.5mm	ERC40-16.5mm	ERC50-16.5mm
21/32		16.67					ERC32-21/32	ERC40-21/32	ERC50-21/32
	17.0	17.00					ERC32-17.0mm	ERC40-17.0mm	ERC50-17.0mm
43/64		17.07					ERC32-43/64	ERC40-43/64	ERC50-43/64
11/16		17.46					ERC32-11/16	ERC40-11/16	ERC50-11/16
	17.5	17.50					ERC32-17.5mm	ERC40-17.5mm	ERC50-17.5mm
45/64		17.86					ERC32-45/64	ERC40-45/64	ERC50-45/64
	18.0	18.00					ERC32-18.0mm	ERC40-18.0mm	ERC50-18.0mm
23/32		18.26					ERC32-23/32	ERC40-23/32	ERC50-23/32
	18.5	18.50					ERC32-18.5mm	ERC40-18.5mm	ERC50-18.5mm
47/64		18.65					ERC32-47/64	ERC40-47/64	ERC50-47/64
	19.0	19.00					ERC32-19.0mm	ERC40-19.0mm	ERC50-19.0mm
3/4		19.05					ERC32-3/4	ERC40-3/4	ERC50-3/4
49/64		19.45					ERC32-49/64	ERC40-49/64	ERC50-49/64
	19.5	19.50					ERC32-19.5mm	ERC40-19.5mm	ERC50-19.5mm
25/32		19.84					ERC32-25/32	ERC40-25/32	ERC50-25/32
	20.0	20.00					ERC32-20.0mm	ERC40-20.0mm	ERC50-20.0mm
51/64		20.24					ERC32-51/64	ERC40-51/64	ERC50-51/64

ER-SILICON SEALED COLLETS

INCH SIZE	MM Size	DEC. MM	ER11 4008E NC	ER16 426E NC	ER20 428E NC	ER25 430E NC	ER32 470E NC	ER40 472E NC	ER50 477E NC
	20.5	20.50					ERC32-20.5mm	ERC40-20.5mm	ERC50-20.5mm
13/16		20.64					ERC32-13/16	ERC40-13/16	ERC50-13/16
	21.0	21.00						ERC40-21mm	ERC50-21mm
53/64		21.03						ERC40-53/64	ERC50-53/64
27/32		21.43						ERC40-27/32	ERC50-27/32
	21.5	21.50						ERC40-21.5mm	ERC50-21.5mm
55/64		21.83						ERC40-55/64	ERC50-55/64
	22.0	22.00						ERC40-22.0mm	ERC50-22.0mm
7/8		22.23						ERC40-7/8	ERC50-7/8
	22.5	22.50						ERC40-22.5mm	ERC50-22.5mm
57/64		22.62						ERC40-57/64	ERC50-57/64
	23.0	23.00						ERC40-23.0mm	ERC50-23.0mm
29/32		23.02						ERC40-29/32	ERC50-29/32
59/64		23.42						ERC40-59/64	ERC50-59/64
	23.5	23.50						ERC40-23.5mm	ERC50-23.5mm
15/16		23.81						ERC40-15/16	ERC50-15/16
	24.0	24.00						ERC40-24.0mm	ERC50-24.0mm
61/64		24.21						ERC40-61/64	ERC50-61/64
	24.5	24.50						ERC40-24.5mm	ERC50-24.5mm
31/32		24.61						ERC40-31/32	ERC50-31/32
	25.0	25.00						ERC40-25.0mm	ERC50-25.0mm
63/64		25.00						ERC40-63/64	ERC50-63/64
1		25.40						ERC40-1	ERC50-1
	25.5	25.50						ERC40-25.5mm	ERC50-25.5mm
	26.0	26.00						ERC40-26.0mm	ERC50-26.0mm
	27.00	27.00							ERC50-27.0mm
	28.00	28.00							ERC50-28.0mm
	29.00	29.00							ERC50-29.0mm
	30.00	30.00							ERC50-30.0mm
	31.00	31.00							ERC50-31.0mm
	32.00	32.00							ERC50-32.0mm
	33.00	33.00							ERC50-33.0mm
	34.00	34.00							ERC50-34.0mm

ER-STEEL SEALED COLLETS

ACCURACY:



STANDARD
PRECISION COLLETS

-below 15 micron
-0.00059"



HIGH
PRECISION COLLETS

-below 10 micron
-0.00039"

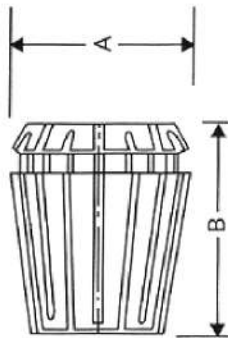


ULTRA
PRECISION COLLETS

-below 5 micron
-0.00019"

**Super Polished collets are available

DIMENSIONS:



COLLET SERIES	REFERENCE #	A	B
ER11 Sealed	4008E SS	11.3mm (0.444")	18mm (0.709")
ER16 Sealed	426E SS	16.74mm (0.659")	27.5mm (1.063")
ER20 Sealed	428E SS	20.74mm (0.817")	31.5mm (1.220")
ER25 Sealed	430E SS	25.74mm (1.013")	34mm (1.378")
ER32 Sealed	470E SS	32.74mm (1.289")	40mm (1.575")
ER40 Sealed	472E SS	40.74mm (1.604")	46mm (1.811")
ER50 Sealed	477E SS	51.5mm (2.027")	60mm (2.362")

FEATURES:

01

ER 11 through ER 40

02

ER coolant collets are designed for use with shank tools with no flats.

03

Use of coolant collets with tools that are not cylindrical will result in coolant leakage.

04

Sealed to 138 BAR / 2000 PSI

05

Only nominal size can be clamped

06

High Precision & Ultra Precision Sealed Collets are also available

ER-STEEL SEALED COLLETS



INCH SIZE	MM SIZE	DEC. MM	ER11 4008E	ER16 426E	ER20 428E	ER25 430E	ER32 470E	ER40 472E	ER50 477E
	3.0	3.00	ERSS11-3.0mm	ERSS16-3.0mm	ERSS20-3.0mm	ERSS20-3.0mm	ERSS25-3.0mm	ERSS32-3.0mm	
1/8		3.18	ERSS11-1/8	ERSS16-1/8	ERSS20-1/8	ERSS20-1/8	ERSS25-1/8	ERSS32-1/8	
	3.5	3.50	ERSS11-3.5mm	ERSS16-3.5mm	ERSS20-3.5mm	ERSS20-3.5mm	ERSS25-3.5mm	ERSS32-3.5mm	
9/64		3.57	ERSS11-9/64	ERSS16-9/64	ERSS20-9/64	ERSS20-9/64	ERSS25-9/64	ERSS32-9/64	
5/32		3.97	ERSS11-5/32	ERSS16-5/32	ERSS20-5/32	ERSS20-5/32	ERSS25-5/32	ERSS32-5/32	
	4.0	4.00	ERSS11-4.0mm	ERSS16-4.0mm	ERSS20-4.0mm	ERSS20-4.0mm	ERSS25-4.0mm	ERSS32-4.0mm	
11/64		4.37	ERSS11-11/64	ERSS16-11/64	ERSS20-11/64	ERSS20-11/64	ERSS25-11/64	ERSS32-11/64	
	4.5	4.50	ERSS11-4.5mm	ERSS16-4.5mm	ERSS20-4.5mm	ERSS20-4.5mm	ERSS25-4.5mm	ERSS32-4.5mm	
3/16		4.76	ERSS11-3/16	ERSS16-3/16	ERSS20-3/16	ERSS20-3/16	ERSS25-3/16	ERSS32-3/16	
	5.0	5.00	ERSS11-5.0mm	ERSS16-5.0mm	ERSS20-5.0mm	ERSS20-5.0mm	ERSS25-5.0mm	ERSS32-5.0mm	
13/64		5.16	ERSS11-13/64	ERSS16-13/64	ERSS20-13/64	ERSS20-13/64	ERSS25-13/64	ERSS32-13/64	
	5.5	5.50	ERSS11-5.5mm	ERSS16-5.5mm	ERSS20-5.5mm	ERSS20-5.5mm	ERSS25-5.5mm	ERSS32-5.5mm	
7/32		5.56	ERSS11-7/32	ERSS16-7/32	ERSS20-7/32	ERSS20-7/32	ERSS25-7/32	ERSS32-7/32	
15/64		5.95	ERSS11-15/64	ERSS16-15/64	ERSS20-15/64	ERSS20-15/64	ERSS25-15/64	ERSS32-15/64	
	6.0	6.00	ERSS11-6.0mm	ERSS16-6.0mm	ERSS20-6.0mm	ERSS20-6.0mm	ERSS25-6.0mm	ERSS32-6.0mm	
1/4		6.35	ERSS11-1/4	ERSS16-1/4	ERSS20-1/4	ERSS20-1/4	ERSS25-1/4	ERSS32-1/4	
	6.5	6.50	ERSS11-6.5mm	ERSS16-6.5mm	ERSS20-6.5mm	ERSS20-6.5mm	ERSS25-6.5mm	ERSS32-6.5mm	
17/64		6.75	ERSS11-17/64	ERSS16-17/64	ERSS20-17/64	ERSS20-17/64	ERSS25-17/64	ERSS32-17/64	
	7.0	7.00	ERSS11-7.0mm	ERSS16-7.0mm	ERSS20-7.0mm	ERSS20-7.0mm	ERSS25-7.0mm	ERSS32-7.0mm	
9/32		7.14		ERSS16-9/32	ERSS20-9/32	ERSS20-9/32	ERSS25-9/32	ERSS32-9/32	
	7.5	7.50		ERSS16-7.5mm	ERSS20-7.5mm	ERSS20-7.5mm	ERSS25-7.5mm	ERSS32-7.5mm	
19/64		7.54		ERSS16-19/64	ERSS20-19/64	ERSS20-19/64	ERSS25-19/64	ERSS32-19/64	
5/16		7.94		ERSS16-5/16	ERSS20-5/16	ERSS20-5/16	ERSS25-5/16	ERSS32-5/16	
	8.0	8.00		ERSS16-8.0mm	ERSS20-8.0mm	ERSS20-8.0mm	ERSS25-8.0mm	ERSS32-8.0mm	
21/64		8.33		ERSS16-21/64	ERSS20-21/64	ERSS20-21/64	ERSS25-21/64	ERSS32-21/64	
	8.5	8.50		ERSS16-8.5mm	ERSS20-8.5mm	ERSS20-8.5mm	ERSS25-8.5mm	ERSS32-8.5mm	
11/32		8.73		ERSS16-11/32	ERSS20-11/32	ERSS20-11/32	ERSS25-11/32	ERSS32-11/32	
	9.0	9.00		ERSS16-9.0mm	ERSS20-9.0mm	ERSS20-9.0mm	ERSS25-9.0mm	ERSS32-9.0mm	
23/64		9.13		ERSS16-23/64	ERSS20-23/64	ERSS20-23/64	ERSS25-23/64	ERSS32-23/64	
	9.5	9.50		ERSS16-9.5mm	ERSS20-9.5mm	ERSS20-9.5mm	ERSS25-9.5mm	ERSS32-9.5mm	
3/8		9.53		ERSS16-3/8	ERSS20-3/8	ERSS20-3/8	ERSS25-3/8	ERSS32-3/8	
25/64		9.92		ERSS16-25/64	ERSS20-25/64	ERSS20-25/64	ERSS25-25/64	ERSS32-25/64	
	10.0	10.00		ERSS16-10.0mm	ERSS20-10.0mm	ERSS20-10.0mm	ERSS25-10.0mm	ERSS32-10.0mm	
13/32		10.32			ERSS20-13/32	ERSS20-13/32	ERSS25-5-13/32	ERSS32-2-13/32	
	10.5	10.50			ERSS20-10.5mm	ERSS20-10.5mm	ERSS25-10.5mm	ERSS32-10.5mm	
27/64		10.72			ERSS20-27/64	ERSS20-27/64	ERSS25-27/64	ERSS32-27/64	
	11.0	11.00			ERSS20-11.0mm	ERSS20-11.0mm	ERSS25-11.0mm	ERSS32-11.0mm	
7/16		11.11			ERSS20-7/16	ERSS20-7/16	ERSS25-7/16	ERSS32-7/16	
	11.5	11.50			ERSS20-11.5mm	ERSS20-11.5mm	ERSS25-11.5mm	ERSS32-11.5mm	
29/64		11.51			ERSS20-29/64	ERSS20-29/64	ERSS25-29/64	ERSS32-29/64	

ER-STEEL

SEALED COLLETS

INCH SIZE	MM SIZE	DEC. MM	ER11 4008E	ER16 426E	ER20 428E	ER25 430E	ER32 470E	ER40 472E	ER50 477E
15/32		11.91			ERSS20-15/32	ERSS25-15/32	ERSS32-15/32	ERSS40-15/32	
	12.0	12.00			ERSS20-12.0mm	ERSS25-12.0mm	ERSS32-12.0mm	ERSS40-12.0mm	ERSS50-12.0mm
31/64		12.30			ERSS20-31/64	ERSS25-31/64	ERSS32-31/64	ERSS40-31/64	ERSS50-31/64
	12.5	12.50			ERSS20-12.5mm	ERSS25-12.5mm	ERSS32-12.5mm	ERSS40-12.5mm	ERSS50-12.5mm
1/2		12.70			ERSS20-1/2	ERSS25-1/2	ERSS32-1/2	ERSS40-1/2	ERSS50-1/2
	13.0	13.00			ERSS20-13.0mm	ERSS25-13.0mm	ERSS32-13.0mm	ERSS40-13.0mm	ERSS50-13.0mm
33/64		13.10				ERSS25-33/64	ERSS32-33/64	ERSS40-33/64	ERSS50-33/64
17/32		13.49				ERSS25-17/32	ERSS32-17/32	ERSS40-17/32	ERSS50-17/32
	13.5	13.50				ERSS25-13.5mm	ERSS32-13.5mm	ERSS40-13.5mm	ERSS50-13.5mm
35/64		13.89				ERSS25-35/64	ERSS32-35/64	ERSS40-35/64	ERSS50-35/64
	14.0	14.00				ERSS25-14.0mm	ERSS32-14.0mm	ERSS40-14.0mm	ERSS50-14.0mm
9/16		14.29				ERSS25-9/16	ERSS32-9/16	ERSS40-9/16	ERSS50-9/16
	14.5	14.50				ERSS25-14.5mm	ERSS32-14.5mm	ERSS40-14.5mm	ERSS50-14.5mm
37/64		14.68				ERSS25-37/64	ERSS32-37/64	ERSS40-37/64	ERSS50-37/64
	15.0	15.00				ERSS25-15.0mm	ERSS32-15.0mm	ERSS40-15.0mm	ERSS50-15.0mm
19/32		15.08				ERSS25-19/32	ERSS32-19/32	ERSS40-19/32	ERSS50-19/32
39/64		15.48				ERSS25-39/64	ERSS32-39/64	ERSS40-39/64	ERSS50-39/64
	15.5	15.50				ERSS25-15.5mm	ERSS32-15.5mm	ERSS40-15.5mm	ERSS50-15.5mm
5/8		15.88				ERSS25-5/8	ERSS32-5/8	ERSS40-5/8	ERSS50-5/8
	16.0	16.00				ERSS25-16.0mm	ERSS32-16.0mm	ERSS40-16.0mm	ERSS50-16.0mm
41/64		16.27					ERSS32-41/64	ERSS40-41/64	ERSS50-41/64
	16.5	16.50					ERSS32-16.5mm	ERSS40-16.5mm	ERSS50-16.5mm
21/32		16.67					ERSS32-21/32	ERSS40-21/32	ERSS50-21/32
	17.0	17.00					ERSS32-17.0mm	ERSS40-17.0mm	ERSS50-17.0mm
43/64		17.07					ERSS32-43/64	ERSS40-43/64	ERSS50-43/64
11/16		17.46					ERSS32-11/16	ERSS40-11/16	ERSS50-11/16
	17.5	17.50					ERSS32-17.5mm	ERSS40-17.5mm	ERSS50-17.5mm
45/64		17.86					ERSS32-45/64	ERSS40-45/64	ERSS50-45/64
	18.0	18.00					ERSS32-18.0mm	ERSS40-18.0mm	ERSS50-18.0mm
23/32		18.26					ERSS32-23/32	ERSS40-23/32	ERSS50-23/32
	18.5	18.50					ERSS32-18.5mm	ERSS40-18.5mm	ERSS50-18.5mm
47/64		18.65					ERSS32-47/64	ERSS40-47/64	ERSS50-47/64
	19.0	19.00					ERSS32-19.0mm	ERSS40-19.0mm	ERSS50-19.0mm
3/4		19.05					ERSS32-3/4	ERSS40-3/4	ERSS50-3/4
49/64		19.45					ERSS32-49/64	ERSS40-49/64	ERSS50-49/64
	19.5	19.50					ERSS32-19.5mm	ERSS40-19.5mm	ERSS50-19.5mm
25/32		19.84					ERSS32-25/32	ERSS40-25/32	ERSS50-25/32
	20.0	20.00					ERSS32-20.0mm	ERSS40-20.0mm	ERSS50-20.0mm
51/64		20.24					ERSS32-51/64	ERSS40-51/64	ERSS50-51/64

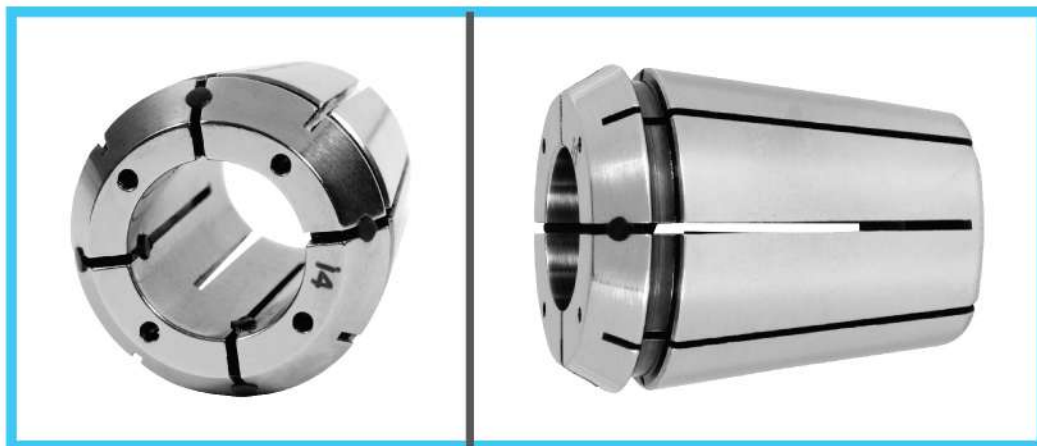
ER-STEEL SEALED COLLETS



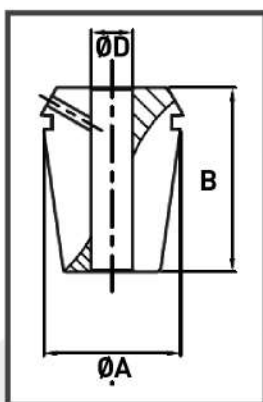
INCH SIZE	MM SIZE	DEC. MM	ER11 4008E	ER16 426E	ER20 428E	ER25 430E	ER32 470E	ER40 472E	ER50 477E
	20.5	20.50					ERSS32-20.5mm	ERSS40-20.5mm	ERSS50-20.5mm
13/16		20.64					ERSS32-13/16	ERSS40-13/16	ERSS50-13/16
	21.0	21.00						ERSS40-21mm	ERSS50-21mm
53/64		21.03						ERSS40-53/64	ERSS50-53/64
27/32		21.43						ERSS40-27/32	ERSS50-27/32
	21.5	21.50						ERSS40-21.5mm	ERSS50-21.5mm
55/64		21.83						ERSS40-55/64	ERSS50-55/64
	22.0	22.00						ERSS40-22.0mm	ERSS50-22.0mm
7/8		22.23						ERSS40-7/8	ERSS50-7/8
	22.5	22.50						ERSS40-22.5mm	ERSS50-22.5mm
57/64		22.62						ERSS40-57/64	ERSS50-57/64
	23.0	23.00						ERSS40-23.0mm	ERSS50-23.0mm
29/32		23.02						ERSS40-29/32	ERSS50-29/32
59/64		23.42						ERSS40-59/64	ERSS50-59/64
	23.5	23.50						ERSS40-23.5mm	ERSS50-23.5mm
15/16		23.81						ERSS40-15/16	ERSS50-15/16
	24.0	24.00						ERSS40-24.0mm	ERSS50-24.0mm
61/64		24.21						ERSS40-61/64	ERSS50-61/64
	24.5	24.50						ERSS40-24.5mm	ERSS50-24.5mm
31/32		24.61						ERSS40-31/32	ERSS50-31/32
	25.0	25.00						ERSS40-25.0mm	ERSS50-25.0mm
63/64		25.00						ERSS40-63/64	ERSS50-63/64
1		25.40						ERSS40-1	ERSS50-1
	25.5	25.50						ERSS40-25.5mm	ERSS50-25.5mm
	26.0	26.00						ERSS40-26.0mm	ERSS50-26.0mm
	27.00	27.00							ERSS50-27.0mm
	28.00	28.00							ERSS50-28.0mm
	29.00	29.00							ERSS50-29.0mm
	30.00	30.00							ERSS50-30.0mm
	31.00	31.00							ERSS50-31.0mm
	32.00	32.00							ERSS50-32.0mm
	33.00	33.00							ERSS50-33.0mm
	34.00	34.00							ERSS50-34.0mm

ER-EXTERNAL ECD COOLANT COLLETS

ACCURACY:



DIMENSIONS:



COLLET SERIES	REFERENCE #	A	B
ER11 Sealed	4008E NC-ECD	11.3mm (0.444")	18mm (0.709")
ER16 Sealed	426E NC-ECD	16.74mm (0.659")	27mm (1.063")
ER20 Sealed	428E NC-ECD	20.74mm (0.817")	31mm (1.220")
ER25 Sealed	430E NC-ECD	25.74mm (1.013")	35mm (1.378")
ER32 Sealed	470E NC-ECD	32.74mm (1.289")	40mm (1.575")
ER40 Sealed	472E NC-ECD	40.74mm (1.604")	46mm (1.811")
ER50 Sealed	477E NC-ECD	51.5mm (2.027")	60mm (2.362")

FEATURES:

01

ER 11 through ER 40

02

ER coolant collets are designed for use with shank tools with no flats.

03

Use of coolant collets with tools that are not cylindrical will result in coolant leakage.

04

Only nominal size can be clamped

ER-EXTERNAL ECD COOLANT COLLETS

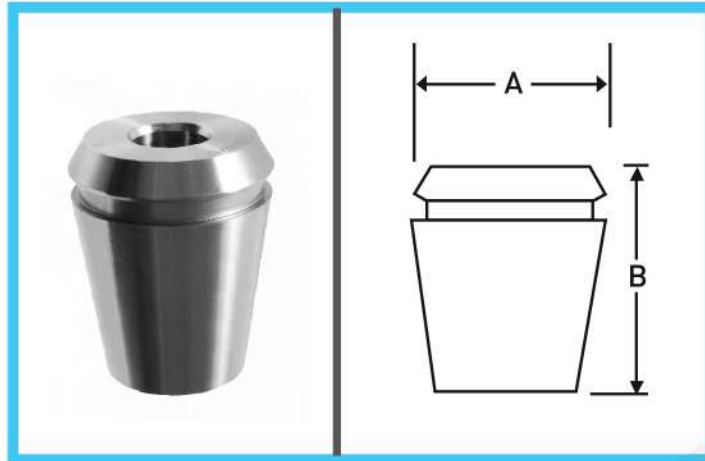
INCH SIZE	MM SIZE	DEC. MM	ER11 4008E NC-ECD	ER16 426E NC-ECD	ER20 428E NC-ECD	ER25 430E NC-ECD	ER32 470E NC-ECD	ER40 472E NC-ECD
	3.0	3.00	ER-ECD11-3.0mm	ER-ECD16-3.0mm	ER-ECD20-3mm	ER-ECD25-3.0mm	ER-ECD32-3.0mm	ER-ECD40-3.0mm
1/8	3.18	3.18	ER-ECD11-1/8	ER-ECD16-1/8	ER-ECD20-1/8	ER-ECD25-1/8	ER-ECD32-1/8	ER-ECD40-1/8
	3.5	3.50	ER-ECD11-3.5mm	ER-ECD16-3.5mm	ER-ECD20-3.5mm	ER-ECD25-3.5mm	ER-ECD32-3.5mm	ER-ECD40-3.5mm
5/32	3.97	3.97	ER-ECD11-5/32	ER-ECD16-5/32	ER-ECD20-5/32	ER-ECD25-5/32	ER-ECD32-5/32	ER-ECD40-5/32
	4.0	4.00	ER-ECD11-4.0mm	ER-ECD16-4.0mm	ER-ECD20-4.0mm	ER-ECD25-4.0mm	ER-ECD32-4.0mm	ER-ECD40-4.0mm
	4.5	4.50	ER-ECD11-4.5mm	ER-ECD16-4.5mm	ER-ECD20-4.5mm	ER-ECD25-4.5mm	ER-ECD32-4.5mm	ER-ECD40-4.5mm
3/16	4.76	4.76	ER-ECD11-3/16	ER-ECD16-3/16	ER-ECD20-3/16	ER-ECD25-3/16	ER-ECD32-3/16	ER-ECD40-3/16
	5.0	5.00	ER-ECD11-5.0mm	ER-ECD16-5.0mm	ER-ECD20-5mm	ER-ECD25-5.0mm	ER-ECD32-5.0mm	ER-ECD40-5.0mm
	5.5	5.50	ER-ECD11-5.5mm	ER-ECD16-5.5mm	ER-ECD20-5.5mm	ER-ECD25-5.5mm	ER-ECD32-5.5mm	ER-ECD40-5.5mm
7/32	5.56	5.56	ER-ECD11-7/32	ER-ECD16-7/32	ER-ECD20-7/32	ER-ECD25-7/32	ER-ECD32-7/32	ER-ECD40-7/32
	6.0	6.00	ER-ECD11-6.0mm	ER-ECD16-6.0mm	ER-ECD20-6mm	ER-ECD25-6.0mm	ER-ECD32-6.0mm	ER-ECD40-6.0mm
1/4	6.35	6.35	ER-ECD11-1/4	ER-ECD16-1/4	ER-ECD20-1/4	ER-ECD25-1/4	ER-ECD32-1/4	ER-ECD40-1/4
	6.5	6.50	ER-ECD11-6.5mm	ER-ECD16-6.5mm	ER-ECD20-6.5mm	ER-ECD25-6.5mm	ER-ECD32-6.5mm	ER-ECD40-6.5mm
	7.0	7.00	ER-ECD11-7.0mm	ER-ECD16-7.0mm	ER-ECD20-7mm	ER-ECD25-7.0mm	ER-ECD32-7.0mm	ER-ECD40-7.0mm
9/32	7.14	7.14		ER-ECD16-9/32	ER-ECD20-9/32	ER-ECD25-9/32	ER-ECD32-9/32	ER-ECD40-9/32
5/16	7.94	7.94		ER-ECD16-5/16	ER-ECD20-5/16	ER-ECD25-5/16	ER-ECD32-5/16	ER-ECD40-5/16
	8.0	8.00		ER-ECD16-8.0mm	ER-ECD20-8mm	ER-ECD25-8.0mm	ER-ECD32-8.0mm	ER-ECD40-8.0mm
11/32	8.73	8.73		ER-ECD16-11/32	ER-ECD20-11/32	ER-ECD25-11/32	ER-ECD32-11/32	ER-ECD40-11/32
	9.0	9.00		ER-ECD16-9.0mm	ER-ECD20-9mm	ER-ECD25-9.0mm	ER-ECD32-9.0mm	ER-ECD40-9.0mm
3/8	9.53	9.53		ER-ECD16-3/8	ER-ECD20-3/8	ER-ECD25-3/8	ER-ECD32-3/8	ER-ECD40-3/8
	10.0	10.00		ER-ECD16-10.0mm	ER-ECD20-10mm	ER-ECD25-10.0mm	ER-ECD32-10.0mm	ER-ECD40-10.0mm
13/32	10.32	10.32			ER-ECD20-13/32	ER-ECD25-5-13/32	ER-ECD32-2-13/32	ER-ECD40-0-13/32
	11.0	11.00			ER-ECD20-11mm	ER-ECD25-11.0mm	ER-ECD32-11.0mm	ER-ECD40-11.0mm
7/16	11.11	11.11			ER-ECD20-7/16	ER-ECD25-7/16	ER-ECD32-7/16	ER-ECD40-7/16
1/16	1.59	1.59			ER-ECD20-1/16	ER-ECD25-1/16	ER-ECD32-1/16	ER-ECD40-1/16
15/32	11.91	11.91			ER-ECD20-15/32	ER-ECD25-15/32	ER-ECD32-15/32	ER-ECD40-15/32
	12.0	12.00			ER-ECD20-12mm	ER-ECD25-12.0mm	ER-ECD32-12.0mm	ER-ECD40-12.0mm
1/2	12.70	12.70			ER-ECD20-1/2	ER-ECD25-1/2	ER-ECD32-1/2	ER-ECD40-1/2
	13.0	13.00			ER-ECD20-13mm	ER-ECD25-13.0mm	ER-ECD32-13.0mm	ER-ECD40-13.0mm
17/32	13.49	13.49				ER-ECD25-17/32	ER-ECD32-17/32	ER-ECD40-17/32
	14.0	14.00				ER-ECD25-14.0mm	ER-ECD32-14.0mm	ER-ECD40-14.0mm
9/16	14.29	14.29				ER-ECD25-9/16	ER-ECD32-9/16	ER-ECD40-9/16
	15.0	15.00				ER-ECD25-15.0mm	ER-ECD32-15.0mm	ER-ECD40-15.0mm
19/32	15.08	15.08				ER-ECD25-19/32	ER-ECD32-19/32	ER-ECD40-19/32
5/8	15.88	15.88				ER-ECD25-5/8	ER-ECD32-5/8	ER-ECD40-5/8
	16.0	16.00				ER-ECD25-16.0mm	ER-ECD32-16.0mm	ER-ECD40-16.0mm
21/32	16.67	16.67					ER-ECD32-21/32	ER-ECD40-21/32
	17.0	17.00					ER-ECD32-17.0mm	ER-ECD40-17.0mm
11/16	17.46	17.46					ER-ECD32-11/16	ER-ECD40-11/16
	18.0	18.00					ER-ECD32-18.0mm	ER-ECD40-18.0mm

ER-EXTERNAL ECD COOLANT COLLETS

Inch Size	MM Size	Dec. MM	ER11 4008E NC-ECD	ER16 426E NC-ECD	ER20 428E NC-ECD	ER25 430E NC-ECD	ER32 470E NC-ECD	ER40 472E NC-ECD
23/32		18.26					ER-ECD32-23/32	ER-ECD40-23/32
	19.0	19.00					ER-ECD32-19.0mm	ER-ECD40-19.0mm
3/4		19.05					ER-ECD32-3/4	ER-ECD40-3/4
25/32		19.84					ER-ECD32-25/32	ER-ECD40-25/32
	20.0	20.00					ER-ECD32-20.0mm	ER-ECD40-20.0mm
13/16		20.64					ER-ECD32-13/16	ER-ECD40-13/16
	21.0	21.00						ER-ECD40-21mm
27/32		21.43						ER-ECD40-27/32
	22.0	22.00						ER-ECD40-22.0mm
7/8		22.23						ER-ECD40-7/8
	23.0	23.00						ER-ECD40-23.0mm
29/32		23.02						ER-ECD40-29/32
15/16		23.81						ER-ECD40-15/16
	24.0	24.00						ER-ECD40-24.0mm
31/32		24.61						ER-ECD40-31/32
	25.0	25.00						ER-ECD40-25.0mm
1		25.40						ER-ECD40-1
	26.0	26.00						ER-ECD40-26.0mm

ER-SHRINK FIT COLLETS

ACCURACY:



DIMENSIONS:

COLLET SERIES	REFERENCE #	A	B
ER 11	4008E	11.5mm (.453 in)	18mm (.709 in)
ER 16	426E	17mm (.669 in)	27mm (1.063 in)
ER 20	428E	21mm (.827 in)	31mm (1.220 in)
ER 25	430E	26mm (1.024 in)	35mm (1.378 in)
ER 32	470E	33mm (1.299 in)	40mm (1.575 in)
ER 40	472E	41mm (1.614 in)	46mm (1.811 in)

FEATURES:

01

Highest possible run-out and repeatability accuracy

02

High Clamping Forces for solid carbide tools with shank tolerance H6

03

Reduced set-up times due to external shrinking and presetting

04

Perfectly suitable for driven units and spindles with ER interface

05

Increase in service life of cutting tools up to 300%

ER-SHRINK FIT COLLETS

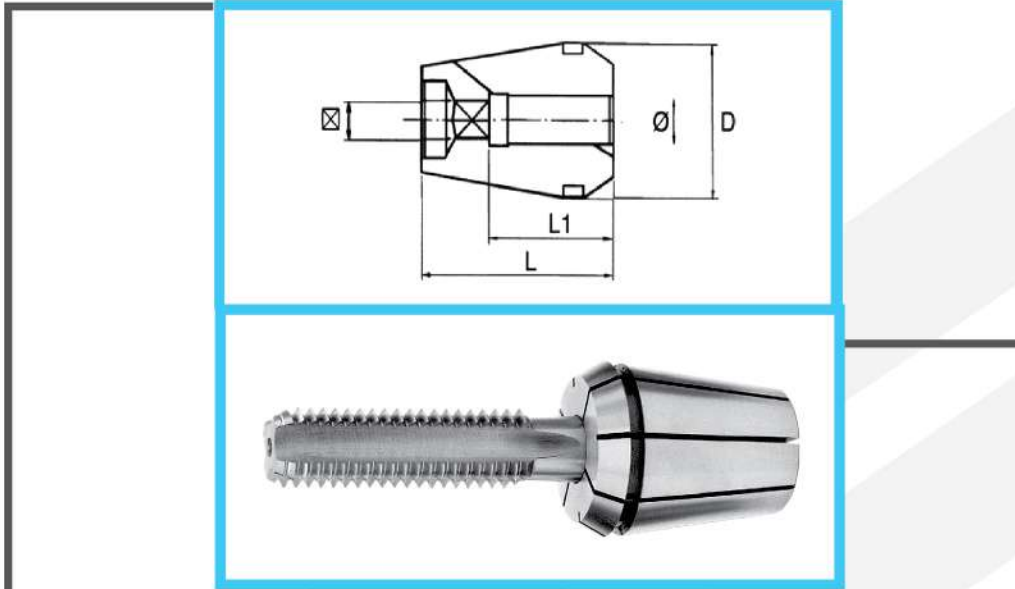
INCH Size	MM Size	ERSF16 426E	ERSF20 428E	ERSF25 430E	ERSF32 470E	ERSF40 472E
	3.0	ERSF16-3.0mm	ERSF20-3.0mm	ERSF25-3.0mm	ERSF32-3.0mm	ERSF40-3.0mm
1/8		ERSF16-1/8	ERSF20-1/8	ERSF25-1/8	ERSF32-1/8	ERSF40-1/8
5/32		ERSF16-5/32	ERSF20-5/32	ERSF25-5/32	ERSF32-5/32	ERSF40-5/32
	4.0	ERSF16-4.0mm	ERSF20-4.0mm	ERSF25-4.0mm	ERSF32-4.0mm	ERSF40-4.0mm
3/16		ERSF16-3/16	ERSF20-3/16	ERSF25-3/16	ERSF32-3/16	ERSF40-3/16
	5.0	ERSF16-5.0mm	ERSF20-5.0mm	ERSF25-5.0mm	ERSF32-5.0mm	ERSF40-5.0mm
7/32		ERSF16-7/32	ERSF20-7/32	ERSF25-7/32	ERSF32-7/32	ERSF40-7/32
	6.0	ERSF16-6.0mm	ERSF20-6.0mm	ERSF25-6.0mm	ERSF32-6.0mm	ERSF40-6.0mm
1/4		ERSF16-1/4	ERSF20-1/4	ERSF25-1/4	ERSF32-1/4	ERSF40-1/4
	7.0	ERSF16-7.0mm	ERSF20-7.0mm	ERSF25-7.0mm	ERSF32-7.0mm	ERSF40-7.0mm
9/32		ERSF16-9/32	ERSF20-9/32	ERSF25-9/32	ERSF32-9/32	ERSF40-9/32
5/16		ERSF16-5/16	ERSF20-5/16	ERSF25-5/16	ERSF32-5/16	ERSF40-5/16
	8.0	ERSF16-8.0mm	ERSF20-8.0mm	ERSF25-8.0mm	ERSF32-8.0mm	ERSF40-8.0mm
11/32		ERSF16-11/32	ERSF20-11/32	ERSF25-11/32	ERSF32-11/32	ERSF40-11/32
	9.0	ERSF16-9.0mm	ERSF20-9.0mm	ERSF25-9.0mm	ERSF32-9.0mm	ERSF40-9.0mm
3/8		ERSF16-3/8	ERSF20-3/8	ERSF25-3/8	ERSF32-3/8	ERSF40-3/8
	10.0	ERSF16-10.0mm	ERSF20-10.0mm	ERSF25-10.0mm	ERSF32-10.0mm	ERSF40-10.0mm
13/32			ERSF20-13/32	ERSF25-5-13/32	ERSF32-2-13/32	ERSF40-0-13/32
	11.0		ERSF20-11.0mm	ERSF25-11.0mm	ERSF32-11.0mm	ERSF40-11.0mm
7/16			ERSF20-7/16	ERSF25-7/16	ERSF32-7/16	ERSF40-7/16
1/16			ERSF20-1/16	ERSF25-1/16	ERSF32-1/16	ERSF40-1/16
15/32			ERSF20-15/32	ERSF25-15/32	ERSF32-15/32	ERSF40-15/32
	12.0		ERSF20-12.0mm	ERSF25-12.0mm	ERSF32-12.0mm	ERSF40-12.0mm
1/2			ERSF20-1/2	ERSF25-1/2	ERSF32-1/2	ERSF40-1/2
	13.0		ERSF20-13.0mm	ERSF25-13.0mm	ERSF32-13.0mm	ERSF40-13.0mm
17/32				ERSF25-17/32	ERSF32-17/32	ERSF40-17/32
	14.0			ERSF25-14.0mm	ERSF32-14.0mm	ERSF40-14.0mm
9/16				ERSF25-9/16	ERSF32-9/16	ERSF40-9/16
	15.0			ERSF25-15.0mm	ERSF32-15.0mm	ERSF40-15.0mm
19/32				ERSF25-19/32	ERSF32-19/32	ERSF40-19/32
5/8				ERSF25-5/8	ERSF32-5/8	ERSF40-5/8
	16.0			ERSF25-16.0mm	ERSF32-16.0mm	ERSF40-16.0mm
21/32					ERSF32-21/32	ERSF40-21/32
	17.0				ERSF32-17.0mm	ERSF40-17.0mm
11/16					ERSF32-11/16	ERSF40-11/16
	18.0				ERSF32-18.0mm	ERSF40-18.0mm
23/32					ERSF32-23/32	ERSF40-23/32
	19.0				ERSF32-19.0mm	ERSF40-19.0mm
3/4					ERSF32-3/4	ERSF40-3/4

ER-SHRINK FIT COLLETS

INCH Size	MM Size	ERSF16 426E	ERSF20 428E	ERSF25 430E	ERSF32 470E	ERSF40 472E
25/32					ERSF32-25/32	ERSF40-25/32
	20.0				ERSF32-20.0mm	ERSF40-20.0mm
13/16					ERSF32-13/16	ERSF40-13/16
	21.0					ERSF40-21mm
27/32						ERSF40-27/32
	22.0					ERSF40-22.0mm
7/8						ERSF40-7/8
	23.0					ERSF40-23.0mm
29/32						ERSF40-29/32
15/16						ERSF40-15/16
	24.0					ERSF40-24.0mm
31/32						ERSF40-31/32
	25.0					ERSF40-25.0mm
1						ERSF40-1
	26.0					ERSF40-26.0mm

ER-TAP COLLETS

DIMENSIONS:



	ER16	ER20	ER25	ER32	ER40
D	16.74MM	20.74MM	25.74MM	32.74MM	40.74MM
L	27.5MM	31.5MM	34.0MM	40.0MM	46.0MM

FEATURES:

01

For synchronous tapping operation using Standard ER collet chuck.

02

Collet bore is exactly to the Tap shank diameter with square drive for accuracy and rigidity.

ANSI STANDARD TAPS

TAP SIZE	SHANK SIZE	SQUARE SIZE	ER11	ER16	ER20	ER25	ER32	ER40
#0-6	0.141	0.110	ERT11-141	ERT16-141	ERT20-141	ERT25-141	ERT32-141	ERT40-141
#8	0.168	0.131	ERT11-168	ERT16-168	ERT20-168	ERT25-168	ERT32-168	ERT40-168
#10	0.194	0.152	ERT11-194	ERT16-194	ERT20-194	ERT25-194	ERT32-194	ERT40-194
#12	0.220	0.165	ERT11-220	ERT16-220	ERT20-220	ERT25-220	ERT32-220	ERT40-220
1/4	0.255	0.191	ERT11-255	ERT16-255	ERT20-255	ERT25-255	ERT32-255	ERT40-255
5/16	0.318	0.238		ERT16-318	ERT20-318	ERT25-318	ERT32-318	ERT40-318
3/8	0.381	0.286			ERT20-381	ERT25-381	ERT32-381	ERT40-381
7/16	0.323	0.242		ERT16-323	ERT20-323	ERT25-323	ERT32-323	ERT40-323
1/2	0.367	0.275			ERT20-367	ERT25-367	ERT32-367	ERT40-367
9/16	0.429	0.322			ERT20-429	ERT25-429	ERT32-429	ERT40-429
5/8	0.480	0.360			ERT20-480	ERT25-480	ERT32-480	ERT40-480
11/16	0.542	0.406				ERT25-542	ERT32-542	ERT40-542
3/4	0.590	0.442					ERT32-590	ERT40-590
13/16	0.652	0.489					ERT32-652	ERT40-652
7/8	0.697	0.523						ERT40-697
15/16	0.760	0.570						ERT40-760
1"	0.800	0.600						ERT40-800
1/16-P	0.3125	0.234			ERT20-3125	ERT25-3125	ERT32-3125	ERT40-3125
1/8s-P	0.3125	0.234			ERT20-3125s	ERT25-3125s	ERT32-3125s	ERT40-3125s
1/8-P	0.4375	0.328			ERT20-4375	ERT25-4375	ERT32-4375	ERT40-4375
1/4-P	0.5625	0.421					ERT32-5625	ERT40-5625
3/8-P	0.7000	0.531					ERT32-6875	ERT40-7000
1/2-P	0.6875	0.515						ERT40-6875

DIN, ISO & JIS STANDARD TAPS

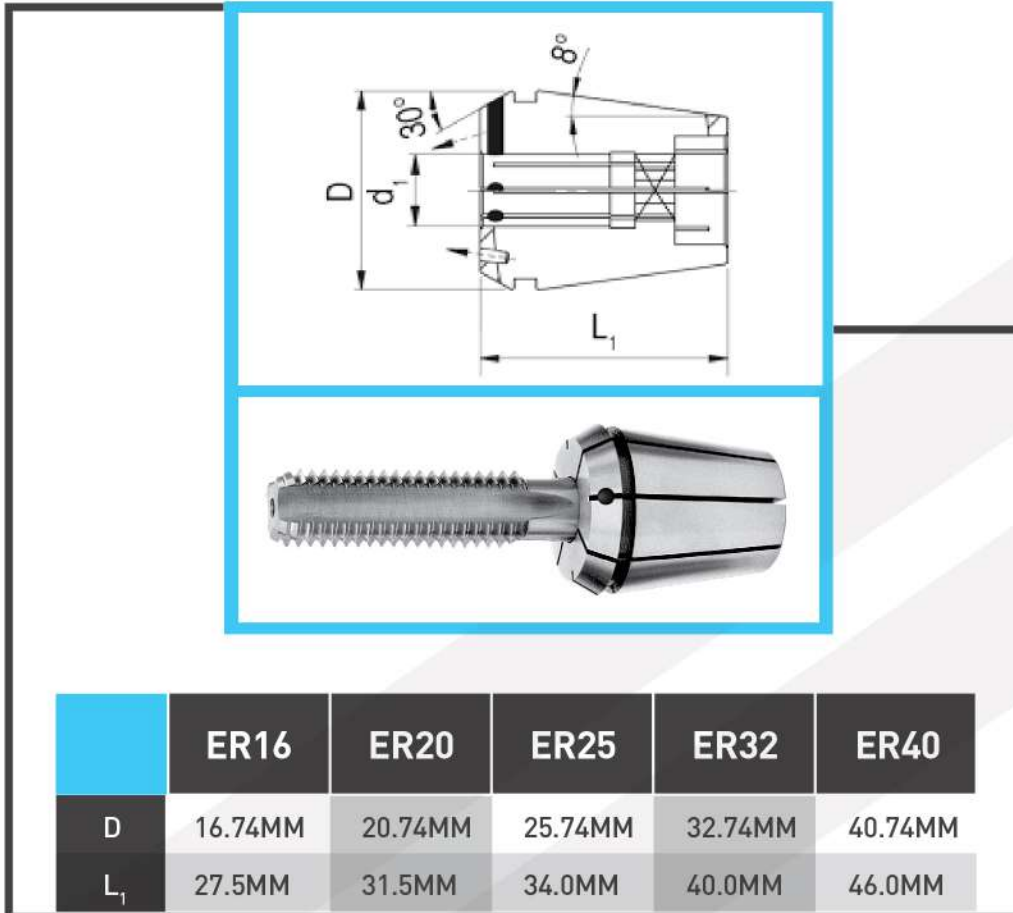
SHANK SIZE	SQUARE SIZE	ER16	ER20	ER25	ER32	ER40
3.0	2.5	ERT16-3.0-2.5	ERT20-3.0-2.5	ERT25-3.0-2.5	ERT32-3.0-2.5	ERT40-3.0-2.5
3.15	2.5	ERT16-3.15-2.5	ERT20-3.15-2.5	ERT25-3.15-2.5	ERT32-3.15-2.5	ERT40-3.15-2.5
3.5	2.7	ERT16-3.5-2.7	ERT20-3.5-2.7	ERT25-3.5-2.7	ERT32-3.5-2.7	ERT40-3.5-2.7
3.55	2.8	ERT16-3.55-2.8	ERT20-3.55-2.8	ERT25-3.55-2.8	ERT32-3.55-2.8	ERT40-3.55-2.8
4.0	3.0	ERT16-4.0-3.0	ERT20-4.0-3.0	ERT25-4.0-3.0	ERT32-4.0-3.0	ERT40-4.0-3.0
4.0	3.2	ERT16-4.0-3.2	ERT20-4.0-3.2	ERT25-4.0-3.2	ERT32-4.0-3.2	ERT40-4.0-3.2
4.5	3.4	ERT16-4.5-3.4	ERT20-4.5-3.4	ERT25-4.5-3.4	ERT32-4.5-3.4	ERT40-4.5-3.4
5.0	4.0	ERT16-5.0-4.0	ERT20-5.0-4.0	ERT25-5.0-4.0	ERT32-5.0-4.0	ERT40-5.0-4.0
5.5	4.3	ERT16-5.5-4.3	ERT20-5.5-4.3	ERT25-5.5-4.3	ERT32-5.5-4.3	ERT40-5.5-4.3
5.6	4.5	ERT16-5.6-4.5	ERT20-5.6-4.5	ERT25-5.6-4.5	ERT32-5.6-4.5	ERT40-5.6-4.5
6.0	4.5	ERT16-6.0-4.5	ERT20-6.0-4.5	ERT25-6.0-4.5	ERT32-6.0-4.5	ERT40-6.0-4.5

ER TAP COLLETS

SHANK SQUARE SIZE		ER16	ER20	ER25	ER32	ER40
6.0	4.9	ERT16-6.0-4.9	ERT20-6.0-4.9	ERT25-6.0-4.9	ERT32-6.0-4.9	ERT40-6.0-4.9
6.3	5.0	ERT16-6.3-5.0	ERT20-6.3-5.0	ERT25-6.3-5.0	ERT32-6.3-5.0	ERT40-6.3-5.0
7.0	5.0	ERT16-7.0-5.0	ERT20-7.0-5.0	ERT25-7.0-5.0	ERT32-7.0-5.0	ERT40-7.0-5.0
7.0	5.5	ERT16-7.0-5.5	ERT20-7.0-5.5	ERT25-7.0-5.5	ERT32-7.0-5.5	ERT40-7.0-5.5
7.1	5.6	ERT16-7.1-5.6	ERT20-7.1-5.6	ERT25-7.1-5.6	ERT32-7.1-5.6	ERT40-7.1-5.6
8.0	6.0	ERT16-8.0-6.0	ERT20-8.0-6.0	ERT25-8.0-6.0	ERT32-8.0-6.0	ERT40-8.0-6.0
8.0	6.2	ERT16-8.0-6.2	ERT20-8.0-6.2	ERT25-8.0-6.2	ERT32-8.0-6.2	ERT40-8.0-6.2
8.0	6.3	ERT16-8.0-6.3	ERT20-8.0-6.3	ERT25-8.0-6.3	ERT32-8.0-6.3	ERT40-8.0-6.3
8.5	6.5		ERT20-8.5-6.5	ERT25-8.5-6.5	ERT32-8.5-6.5	ERT40-8.5-6.5
9.0	7.0		ERT20-9.0-7.0	ERT25-9.0-7.0	ERT32-9.0-7.0	ERT40-9.0-7.0
10.0	8.0		ERT20-10.0-8.0	ERT25-10.0-8.0	ERT32-10.0-8.0	ERT40-10.0-8.0
10.5	8.0		ERT20-10.5-8.0	ERT25-10.5-8.0	ERT32-10.5-8.0	ERT40-10.5-8.0
11.0	9.0		ERT20-11.0-9.0	ERT25-11.0-9.0	ERT32-11.0-9.0	ERT40-11.0-9.0
11.2	9.0		ERT20-11.2-9.0	ERT25-11.2-9.0	ERT32-11.2-9.0	ERT40-11.2-9.0
12.0	9.0		ERT20-12.0-9.0	ERT25-12.0-9.0	ERT32-12.0-9.0	ERT40-12.0-9.0
12.5	10.0			ERT25-12.5-10.0	ERT32-12.5-10.0	ERT40-12.5-10.0
14.0	11.0			ERT25-14.0-11.0	ERT32-14.0-11.0	ERT40-14.0-11.0
14.0	11.2			ERT25-14.0-11.2	ERT32-14.0-11.2	ERT40-14.0-11.2
15.0	12.0				ERT32-15.0-12.0	ERT40-15.0-12.0
16.0	12.0				ERT32-16.0-12.0	ERT40-16.0-12.0
16.0	12.5				ERT32-16.0-12.5	ERT40-16.0-12.5
17.0	13.0				ERT32-17.0-13.0	ERT40-17.0-13.0
18.0	14.5				ERT32-18.0-14.5	ERT40-18.0-14.5
18.0	14.0				ERT32-18.0-14.0	ERT40-18.0-14.0
19.0	15.0					ERT40-19.0-15.0
20.0	16.0					ERT40-20.0-16.0
20.0	15.0					ERT40-20.0-15.0
22.0	18.0					ERT40-22.0-18.0
22.4	18.0					ERT40-22.4-18.0
25.0	20.0					ERT40-25.0-20.0
28.0	22.0					ERT40-28.0-22.0
28.0	22.4					ERT40-28.0-22.4
31.5	25.0					ERT40-31.5-25.0
32.0	24.0					ERT40-32.0-24.0
36.0	29.0					ERT40-36.0-29.0

ER-TAP & SEALED COLLETS

DIMENSIONS:



FEATURES:

01

For synchronous tapping operation using Standard ER Collet Chuck.

02

Collet bore is exactly to the Tap shank diameter with square drive for accuracy and rigidity.

ER-TAP & SEALED COLLETS

ANSI STANDARD TAPS

TAP SIZE	SHANK SIZE	SQUARE SIZE	ER11	ER16	ER20	ER25	ER32	ER40
#0-6	0.141	0.110	ERTC11-141	ERTC16-141	ERTC20-141	ERT25-141	ERTC32-141	ERTC40-141
#8	0.168	0.131	ERTC11-168	ERTC16-168	ERTC20-168	ERTC25-168	ERTC32-168	ERTC40-168
#10	0.194	0.152	ERTC11-194	ERTC16-194	ERTC20-194	ERTC25-194	ERTC32-194	ERTC40-194
#12	0.220	0.165	ERTC11-220	ERTC16-220	ERTC20-220	ERTC25-220	ERTC32-220	ERTC40-220
1/4	0.255	0.191	ERTC11-255	ERTC16-255	ERTC20-255	ERTC25-255	ERTC32-255	ERTC40-255
5/16	0.318	0.238		ERTC16-318	ERTC20-318	ERTC25-318	ERTC32-318	ERTC40-318
3/8	0.381	0.286			ERTC20-381	ERTC25-381	ERTC32-381	ERTC40-381
7/16	0.323	0.242		ERTC16-323	ERTC20-323	ERTC25-323	ERTC32-323	ERTC40-323
1/2	0.367	0.275			ERTC20-367	ERTC25-367	ERTC32-367	ERTC40-367
9/16	0.429	0.322				ERTC25-429	ERTC32-429	ERTC40-429
5/8	0.480	0.360				ERTC25-480	ERTC32-480	ERTC40-480
11/16	0.542	0.406					ERTC32-542	ERTC40-542
3/4	0.590	0.442					ERTC32-590	ERTC40-590
13/16	0.652	0.489						ERTC40-652
7/8	0.697	0.523						ERTC40-697
15/16	0.760	0.570						ERTC40-760
1"	0.800	0.600						ERTC40-800
1/16-P	0.3125	0.234			ERTC20-3125	ERTC25-3125	ERTC32-3125	ERTC40-3125
1/8s-P	0.3125	0.234			ERTC20-3125s	ERTC25-3125s	ERTC32-3125s	ERTC40-3125s
1/8-P	0.4375	0.328				ERTC25-4375	ERTC32-4375	ERTC40-4375
1/4-P	0.5625	0.421					ERTC32-5625	ERTC40-5625
3/8-P	0.7000	0.531						ERTC40-7000
1/2-P	0.6875	0.515						ERTC40-6875

DIN, ISO & JIS STANDARD TAPS

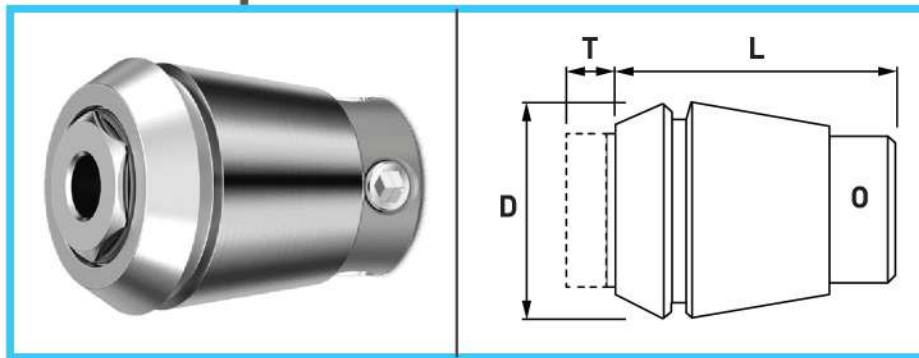
SHANK SIZE	SQUARE SIZE	ER16	ER20	ER25	ER32	ER40
3.0	2.5	ERTC16-3.0-2.5	ERTC20-3.0-2.5	ERTC25-3.0-2.5	ERTC32-3.0-2.5	ERTC40-3.0-2.5
3.15	2.5	ERTC16-3.15-2.5	ERTC20-3.15-2.5	ERTC25-3.15-2.5	ERTC32-3.15-2.5	ERTC40-3.15-2.5
3.5	2.7	ERTC16-3.5-2.7	ERTC20-3.5-2.7	ERTC25-3.5-2.7	ERTC32-3.5-2.7	ERTC40-3.5-2.7
3.55	2.8	ERTC16-3.55-2.8	ERTC20-3.55-2.8	ERTC25-3.55-2.8	ERTC32-3.55-2.8	ERTC40-3.55-2.8
4.0	3.0	ERTC16-4.0-3.0	ERTC20-4.0-3.0	ERTC25-4.0-3.0	ERTC32-4.0-3.0	ERTC40-4.0-3.0
4.0	3.2	ERTC16-4.0-3.2	ERTC20-4.0-3.2	ERTC25-4.0-3.2	ERTC32-4.0-3.2	ERTC40-4.0-3.2
4.5	3.4	ERTC16-4.5-3.4	ERTC20-4.5-3.4	ERTC25-4.5-3.4	ERTC32-4.5-3.4	ERTC40-4.5-3.4
5.0	4.0	ERTC16-5.0-4.0	ERTC20-5.0-4.0	ERTC25-5.0-4.0	ERTC32-5.0-4.0	ERTC40-5.0-4.0
5.5	4.3	ERTC16-5.5-4.3	ERTC20-5.5-4.3	ERTC25-5.5-4.3	ERTC32-5.5-4.3	ERTC40-5.5-4.3
5.6	4.5	ERTC16-5.6-4.5	ERTC20-5.6-4.5	ERTC25-5.6-4.5	ERTC32-5.6-4.5	ERTC40-5.6-4.5
6.0	4.5	ERTC16-6.0-4.5	ERTC20-6.0-4.5	ERTC25-6.0-4.5	ERTC32-6.0-4.5	ERTC40-6.0-4.5

ER-TAP & SEALED COLLETS

SHANK SQUARE SIZE		ER16	ER20	ER25	ER32	ER40
6.0	4.9	ERTC16-6.0-4.9	ERTC20-6.0-4.9	ERTC25-6.0-4.9	ERTC32-6.0-4.9	ERTC40-6.0-4.9
6.3	5.0	ERTC16-6.3-5.0	ERTC20-6.3-5.0	ERTC25-6.3-5.0	ERTC32-6.3-5.0	ERTC40-6.3-5.0
7.0	5.0	ERTC16-7.0-5.0	ERTC20-7.0-5.0	ERTC25-7.0-5.0	ERTC32-7.0-5.0	ERTC40-7.0-5.0
7.0	5.5	ERTC16-7.0-5.5	ERTC20-7.0-5.5	ERTC25-7.0-5.5	ERTC32-7.0-5.5	ERTC40-7.0-5.5
7.1	5.6	ERTC16-7.1-5.6	ERTC20-7.1-5.6	ERTC25-7.1-5.6	ERTC32-7.1-5.6	ERTC40-7.1-5.6
8.0	6.0		ERTC20-8.0-6.0	ERTC25-8.0-6.0	ERTC32-8.0-6.0	ERTC40-8.0-6.0
8.0	6.2		ERTC20-8.0-6.2	ERTC25-8.0-6.2	ERTC32-8.0-6.2	ERTC40-8.0-6.2
8.0	6.3		ERTC20-8.0-6.3	ERTC25-8.0-6.3	ERTC32-8.0-6.3	ERTC40-8.0-6.3
8.5	6.5		ERTC20-8.5-6.5	ERTC25-8.5-6.5	ERTC32-8.5-6.5	ERTC40-8.5-6.5
9.0	7.0		ERTC20-9.0-7.0	ERTC25-9.0-7.0	ERTC32-9.0-7.0	ERTC40-9.0-7.0
10.0	8.0		ERTC20-10.0-8.0	ERTC25-10.0-8.0	ERTC32-10.0-8.0	ERTC40-10.0-8.0
10.5	8.0		ERTC20-10.5-8.0	ERTC25-10.5-8.0	ERTC32-10.5-8.0	ERTC40-10.5-8.0
11.0	9.0			ERTC25-11.0-9.0	ERTC32-11.0-9.0	ERTC40-11.0-9.0
11.2	9.0			ERTC25-11.2-9.0	ERTC32-11.2-9.0	ERTC40-11.2-9.0
12.0	9.0			ERTC25-12.0-9.0	ERTC32-12.0-9.0	ERTC40-12.0-9.0
12.5	10.0			ERTC25-12.5-10.0	ERTC32-12.5-10.0	ERTC40-12.5-10.0
14.0	11.0				ERTC32-14.0-11.0	ERTC40-14.0-11.0
14.0	11.2				ERTC32-14.0-11.2	ERTC40-14.0-11.2
15.0	12.0				ERTC32-15.0-12.0	ERTC40-15.0-12.0
16.0	12.0				ERTC32-16.0-12.0	ERTC40-16.0-12.0
16.0	12.5				ERTC32-16.0-12.5	ERTC40-16.0-12.5
17.0	13.0					ERTC40-17.0-13.0
18.0	14.5					ERTC40-18.0-14.5
18.0	14.0					ERTC40-18.0-14.0
19.0	15.0					ERTC40-19.0-15.0
20.0	16.0					ERTC40-20.0-16.0
20.0	15.0					ERTC40-20.0-15.0
22.0	18.0					ERTC40-22.0-18.0
22.4	18.0					ERTC40-22.4-18.0
25.0	20.0					ERTC40-25.0-20.0
28.0	22.0					ERTC40-28.0-22.0
28.0	22.4					ERTC40-28.0-22.4
31.5	25.0					ERTC40-31.5-25.0
32.0	24.0					ERTC40-32.0-24.0
36.0	29.0					ERTC40-36.0-29.0

ER-FLOATING TAP COLLETS WITH AXIAL COMPENSATION

DIMENSIONS:



	ER16	ER20	ER25	ER32	ER40
D	17.0mm	21.0mm	26.0mm	33.0mm	41.0mm
L	27.0mm	31.0mm	34.0mm	43.0mm	54.0mm
T	5.0mm	7.0mm	8.0mm	10.0mm	12.0mm

FEATURES:

- 01 With square locking drive and tension length adjustment
- 02 Axial compensation prevents breaking taps
- 03 Locking feature prevents spinning the tap.
- 04 Reduced clearance requirements.
- 05 Inch and Metric collets available.

ER-FLOATING TAP COLLETS

WITH AXIAL COMPENSATION

ITEM NUMBER	COLLET SERIES	SHANK SIZE	SQUARE SIZE	D	L	T
ERTB16-2.5X2.1	ER16	2.5	2.1	17	27	7
ERTB16-2.8X2.1	ER16	2.8	2.1	17	27	7
ERTB16-3.5X2.7	ER16	3.5	2.7	17	27	7
ERTB16-4.0X3.0	ER16	4.0	3.0	17	27	7
ERTB16-4.5X3.4	ER16	4.5	3.4	17	27	7
ERTB16-5.5X4.3	ER16	5.5	4.3	17	27	7
ERTB16-6.0X4.9	ER16	6.0	4.9	17	27	7
ERTB16-141	ER16	0.141"	0.110"	17	27	7
ERTB16-168	ER16	0.168"	0.131"	17	27	7
ERTB16-194	ER16	0.194"	0.152"	17	27	7
ERTB16-220	ER16	0.220"	0.165"	17	27	7
ERTB20-2.5X2.1	ER20	2.5	2.1	21	31	7
ERTB20-2.8X2.1	ER20	2.8	2.1	21	31	7
ERTB20-3.5X2.7	ER20	3.5	2.7	21	31	7
ERTB20-4.0X3.0	ER20	4.0	3.0	21	31	7
ERTB20-4.5X3.4	ER20	4.5	3.4	21	31	7
ERTB20-5.5X4.3	ER20	5.5	4.3	21	31	7
ERTB20-6.0X4.9	ER20	6.0	4.9	21	31	7
ERTB20-7.0X5.5	ER20	7.0	5.5	21	31	7
ERTB20-141	ER20	0.141"	0.110"	21	31	7
ERTB20-168	ER20	0.168"	0.131"	21	31	7
ERTB20-194	ER20	0.194"	0.152"	21	31	7
ERTB20-220	ER20	0.220"	0.165"	21	31	7
ERTB20-255	ER20	0.255"	0.191"	21	31	7
ERTB25-2.5X2.1	ER25	2.5	2.1	26	34	8
ERTB25-2.8X2.1	ER25	2.8	2.1	26	34	8
ERTB25-3.5X2.7	ER25	3.5	2.7	26	34	8
ERTB25-4.0X3.0	ER25	4.0	3.0	26	34	8
ERTB25-4.5X3.4	ER25	4.5	3.4	26	34	8
ERTB25-5.5X4.3	ER25	5.5	4.3	26	34	8
ERTB25-6.0X4.9	ER25	6.0	4.9	26	34	8
ERTB25-7.0X5.5	ER25	7.0	5.5	26	34	8
ERTB25-8.0X6.2	ER25	8.0	6.2	26	34	8
ERTB25-9.0X7.0	ER25	9.0	7.0	26	34	8
ERTB25-141	ER25	0.141"	0.110"	17	27	7
ERTB25-168	ER25	0.168"	0.131"	17	27	7

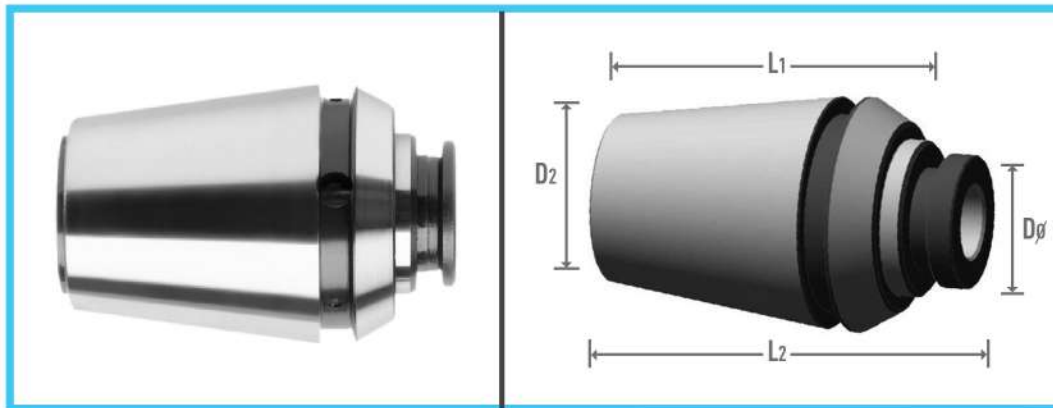
ER-FLOATING TAP COLLETS

WITH AXIAL COMPENSATION

ITEM NUMBER	COLLET SERIES	SHANK SIZE	SQUARE SIZE	D	L	T
ERTB25-194	ER25	0.194"	0.152"	17	27	7
ERTB25-220	ER25	0.220"	0.165"	17	27	7
ERTB25-255	ER25	0.255"	0.191"	17	27	7
ERTB25-318	ER25	0.318"	0.238"	17	27	7
ERTB25-323	ER25	0.323"	0.242"	17	27	7
ERTB25-367	ER25	0.367"	0.275"	17	27	7
ERTB25-381	ER25	0.381"	0.286"	17	27	7
<hr/>						
ERTB32-4.5X3.4	ER32	4.5	3.4	33	43	10
ERTB32-5.5X4.3	ER32	5.5	4.3	33	43	10
ERTB32-6.0X4.9	ER32	6.0	4.9	33	43	10
ERTB32-7.0X5.5	ER32	7.0	5.5	33	43	10
ERTB32-8.0X6.2	ER32	8.0	6.2	33	43	10
ERTB32-9.0X7.0	ER32	9.0	7.0	33	43	10
ERTB32-10.0X8.0	ER32	10.0	8.0	33	43	10
ERTB32-11.0X9.0	ER32	11.0	9.0	33	43	10
ERTB32-12.0X9.0	ER32	12.0	9.0	33	43	10
ERTB32-168	ER32	0.168"	0.131"	33	43	10
ERTB32-194	ER32	0.194"	0.152"	33	43	10
ERTB32-220	ER32	0.220"	0.165"	33	43	10
ERTB32-255	ER32	0.255"	0.191"	33	43	10
ERTB32-318	ER32	0.318"	0.238"	33	43	10
ERTB32-323	ER32	0.323"	0.242"	33	43	10
ERTB32-367	ER32	0.367"	0.275"	33	43	10
ERTB32-381	ER32	0.381"	0.286"	33	43	10
ERTB32-429	ER32	0.429"	0.322"	33	43	10
ERTB32-437	ER32	0.437"	0.328"	33	43	10
ERTB32-480	ER32	0.480"	0.360"	33	43	10
<hr/>						
ERTB40-6.0X4.9	ER40	6.0	4.9	41	54	13
ERTB40-7.0X5.5	ER40	7.0	5.5	41	54	13
ERTB40-8.0X6.2	ER40	8.0	6.2	41	54	13
ERTB40-9.0X7.0	ER40	9.0	7.0	41	54	13
ERTB40-10.0X8.0	ER40	10.0	8.0	41	54	13
ERTB40-11.0X9.0	ER40	11.0	9.0	41	54	13
ERTB40-12.0X9.0	ER40	12.0	9.0	41	54	13
ERTB40-14.0X11.0	ER40	14.0	11.0	41	54	13
ERTB40-16.0X12.0	ER40	16.0	12.0	41	54	13

ER-QUICK CHANGE RIGID TAP COLLETS

DIMENSIONS:



	ER16	ER20	ER25	ER32	ER40
D Ø MIN	2.5mm	2.5mm	2.5mm	3.5mm	3.5mm
D Ø MAX	4.5mm	6.0mm	9.0mm	12.0mm	14.0mm
D2	17.0mm	21.0mm	26.0mm	33.0mm	41.0mm
L1	30.0mm	23.0mm	37.0mm	42.0mm	50.0mm
L2	34.0mm	27.0mm	43.0mm	48.0mm	56.0mm

FEATURES:

- 01 Quick-Change Taps
- 02 Locking feature prevents spinning the tap
- 03 Reduce tapping clearance requirements
- 04 Replaces expensive tap holders

ER-QUICK CHANGERIGID TAP COLLETS

ANSI STANDARD TAPS

TAP SIZE	SHANK SIZE	SQUARE SIZE	ER11	ER16	ER20	ER25	ER32	ER40
#0-6	0.141	0.110	ERQC11-141	ERQC16-141	ERQC20-141	ERQC25-141	ERQC32-141	ERQC40-141
#8	0.168	0.131	ERQC11-168	ERQC16-168	ERQC20-168	ERQC25-168	ERQC32-168	ERQC40-168
#10	0.194	0.152	ERQC11-194	ERQC16-194	ERQC20-194	ERQC25-194	ERQC32-194	ERQC40-194
#12	0.220	0.165	ERQC11-220	ERQC16-220	ERQC20-220	ERQC25-220	ERQC32-220	ERQC40-220
1/4	0.255	0.191	ERQC11-255	ERQC16-255	ERQC20-255	ERQC25-255	ERQC32-255	ERQC40-255
5/16	0.318	0.238		ERQC16-318	ERQC20-318	ERQC25-318	ERQC32-318	ERQC40-318
3/8	0.381	0.286			ERQC20-381	ERQC25-381	ERQC32-381	ERQC40-381
7/16	0.323	0.242			ERQC20-323	ERQC25-323	ERQC32-323	ERQC40-323
1/2	0.367	0.275			ERQC20-367	ERQC25-367	ERQC32-367	ERQC40-367
9/16	0.429	0.322				ERQC25-429	ERQC32-429	ERQC40-429
5/8	0.480	0.360				ERQC25-480	ERQC32-480	ERQC40-480
11/16	0.542	0.406					ERQC32-542	ERQC40-542
3/4	0.590	0.442					ERQC32-590	ERQC40-590
13/16	0.652	0.489						ERQC40-652
7/8	0.697	0.523						ERQC40-697
15/16	0.760	0.570						ERQC40-760
1"	0.800	0.600						ERQC40-800
1/16-P	0.3125	0.234			ERQC20-3125	ERQC25-3125	ERQC32-3125	ERQC40-3125
1/8s-P	0.3125	0.234			ERQC20-3125s	ERQC25-3125s	ERQC32-3125s	ERQC40-3125s
1/8-P	0.4375	0.328				ERQC25-4375	ERQC32-4375	ERQC40-4375
1/4-P	0.5625	0.421					ERQC32-5625	ERQC40-5625
3/8-P	0.7000	0.531						ERQC40-7000
1/2-P	0.6875	0.515						ERQC40-6875

DIN, ISO & JIS STANDARD TAPS

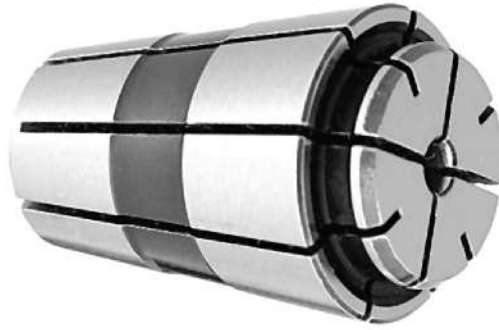
SHANK SIZE	SQUARE SIZE	ER16	ER20	ER25	ER32	ER40
3.0	2.5	ERQC16-3.0-2.5	ERQC20-3.0-2.5	ERQC25-3.0-2.5	ERQC32-3.0-2.5	ERQC40-3.0-2.5
3.15	2.5	ERQC16-3.15-2.5	ERQC20-3.15-2.5	ERQC25-3.15-2.5	ERQC32-3.15-2.5	ERQC40-3.15-2.5
3.5	2.7	ERQC16-3.5-2.7	ERQC20-3.5-2.7	ERQC25-3.5-2.7	ERQC32-3.5-2.7	ERQC40-3.5-2.7
3.55	2.8	ERQC16-3.55-2.8	ERQC20-3.55-2.8	ERQC25-3.55-2.8	ERQC32-3.55-2.8	ERQC40-3.55-2.8
4.0	3.0	ERQC16-4.0-3.0	ERQC20-4.0-3.0	ERQC25-4.0-3.0	ERQC32-4.0-3.0	ERQC40-4.0-3.0
4.0	3.2	ERQC16-4.0-3.2	ERQC20-4.0-3.2	ERQC25-4.0-3.2	ERQC32-4.0-3.2	ERQC40-4.0-3.2
4.5	3.4	ERQC16-4.5-3.4	ERQC20-4.5-3.4	ERQC25-4.5-3.4	ERQC32-4.5-3.4	ERQC40-4.5-3.4
5.0	4.0	ERQC16-5.0-4.0	ERQC20-5.0-4.0	ERQC25-5.0-4.0	ERQC32-5.0-4.0	ERQC40-5.0-4.0
5.5	4.3	ERQC16-5.5-4.3	ERQC20-5.5-4.3	ERQC25-5.5-4.3	ERQC32-5.5-4.3	ERQC40-5.5-4.3

ER-QUICK CHANGE RIGID TAP COLLETS

SHANK SQUARE SIZE SIZE		ER16	ER20	ER25	ER32	ER40
5.6	4.5	ERQC16-5.6-4.5	ERQC20-5.6-4.5	ERQC25-5.6-4.5	ERQC32-5.6-4.5	ERQC40-5.6-4.5
6.0	4.5	ERQC16-6.0-4.5	ERQC20-6.0-4.5	ERQC25-6.0-4.5	ERQC32-6.0-4.5	ERQC40-6.0-4.5
6.0	4.9	ERQC16-6.0-4.9	ERQC20-6.0-4.9	ERQC25-6.0-4.9	ERQC32-6.0-4.9	ERQC40-6.0-4.9
6.3	5.0	ERQC16-6.3-5.0	ERQC20-6.3-5.0	ERQC25-6.3-5.0	ERQC32-6.3-5.0	ERQC40-6.3-5.0
7.0	5.0	ERQC16-7.0-5.0	ERQC20-7.0-5.0	ERQC25-7.0-5.0	ERQC32-7.0-5.0	ERQC40-7.0-5.0
7.0	5.5	ERQC16-7.0-5.5	ERQC20-7.0-5.5	ERQC25-7.0-5.5	ERQC32-7.0-5.5	ERQC40-7.0-5.5
7.1	5.6	ERQC16-7.1-5.6	ERQC20-7.1-5.6	ERQC25-7.1-5.6	ERQC32-7.1-5.6	ERQC40-7.1-5.6
8.0	6.0		ERQC20-8.0-6.0	ERQC25-8.0-6.0	ERQC32-8.0-6.0	ERQC40-8.0-6.0
8.0	6.2		ERQC20-8.0-6.2	ERQC25-8.0-6.2	ERQC32-8.0-6.2	ERQC40-8.0-6.2
8.0	6.3		ERQC20-8.0-6.3	ERQC25-8.0-6.3	ERQC32-8.0-6.3	ERQC40-8.0-6.3
8.5	6.5		ERQC20-8.5-6.5	ERQC25-8.5-6.5	ERQC32-8.5-6.5	ERQC40-8.5-6.5
9.0	7.0		ERQC20-9.0-7.0	ERQC25-9.0-7.0	ERQC32-9.0-7.0	ERQC40-9.0-7.0
10.0	8.0		ERQC20-10.0-8.0	ERQC25-10.0-8.0	ERQC32-10.0-8.0	ERQC40-10.0-8.0
10.5	8.0		ERQC20-10.5-8.0	ERQC25-10.5-8.0	ERQC32-10.5-8.0	ERQC40-10.5-8.0
11.0	9.0			ERQC25-11.0-9.0	ERQC32-11.0-9.0	ERQC40-11.0-9.0
11.2	9.0			ERQC25-11.2-9.0	ERQC32-11.2-9.0	ERQC40-11.2-9.0
12.0	9.0			ERQC25-12.0-9.0	ERQC32-12.0-9.0	ERQC40-12.0-9.0
12.5	10.0			ERQC25-12.5-10.0	ERQC32-12.5-10.0	ERQC40-12.5-10.0
14.0	11.0				ERQC32-14.0-11.0	ERQC40-14.0-11.0
14.0	11.2				ERQC32-14.0-11.2	ERQC40-14.0-11.2
15.0	12.0				ERQC32-15.0-12.0	ERQC40-15.0-12.0
16.0	12.0				ERQC32-16.0-12.0	ERQC40-16.0-12.0
16.0	12.5				ERQC32-16.0-12.5	ERQC40-16.0-12.5
17.0	13.0					ERQC40-17.0-13.0
18.0	14.5					ERQC40-18.0-14.5
18.0	14.0					ERQC40-18.0-14.0
19.0	15.0					ERQC40-19.0-15.0
20.0	16.0					ERQC40-20.0-16.0
20.0	15.0					ERQC40-20.0-15.0
22.0	18.0					ERQC40-22.0-18.0
22.4	18.0					ERQC40-22.4-18.0
25.0	20.0					ERQC40-25.0-20.0
28.0	22.0					ERQC40-28.0-22.0
28.0	22.4					ERQC40-28.0-22.4
31.5	25.0					ERQC40-31.5-25.0
32.0	24.0					ERQC40-32.0-24.0
36.0	29.0					ERQC40-36.0-29.0

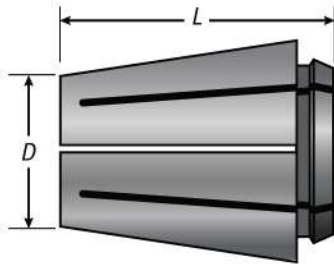
DNA (DEADNUTS ACCURATE) OR-RTX COLLETS

ACCURACY:



Standard Precision Collets	below 15 micron	0.00059"
High Precision Collets	below 10 micron	0.00039"
Ultra Precision Collets	below 5 micron	0.00019"

DIMENSIONS:



COLLET	D	L
DNA 11	.673	.460
DNA 16	.945	.654
DNA 20	1.201	.815
DNA 25	1.339	1.010
DNA 32	1.571	1.301
DNA 40	1.776	1.617

FEATURES:

01

DNA/RTx collets have a much shorter projection outside of the collet pocket

02

More rigid hold for small diameter tools and repeatable accuracy

03

DNA/RTx collets work in standard ER collet chucks – only a collet and nut required

04

Longer tool-life and superior tool performance!

05

METRIC & INCH sizes

06

Only nominal size can be clamped

DNA (DEAD NUTS ACCURATE) OR-RTX COLLETS

INCH SIZE	MM SIZE	DNA16 RTx16	DNA20 RTx20	DNA25 RTx25	DNA32 RTx32	DNA40 RTx40
	3.0	RTx16-3.0mm	RTx20-3.0mm	RTx25-3.0mm	RTx32-3.0mm	RTx40-3.0mm
1/8		RTx16-1/8	RTx20-1/8	RTx25-1/8	RTx32-1/8	RTx40-1/8
5/32		RTx16-5/32	RTx20-5/32	RTx25-5/32	RTx32-5/32	RTx40-5/32
	4.0	RTx16-4.0mm	RTx20-4.0mm	RTx25-4.0mm	RTx32-4.0mm	RTx40-4.0mm
3/16		RTx16-3/16	RTx20-3/16	RTx25-3/16	RTx32-3/16	RTx40-3/16
	5.0	RTx16-5.0mm	RTx20-5.0mm	RTx25-5.0mm	RTx32-5.0mm	RTx40-5.0mm
7/32		RTx16-7/32	RTx20-7/32	RTx25-7/32	RTx32-7/32	RTx40-7/32
	6.0	RTx16-6.0mm	RTx20-6.0mm	RTx25-6.0mm	RTx32-6.0mm	RTx40-6.0mm
1/4		RTx16-1/4	RTx20-1/4	RTx25-1/4	RTx32-1/4	RTx40-1/4
	7.0	RTx16-7.0mm	RTx20-7.0mm	RTx25-7.0mm	RTx32-7.0mm	RTx40-7.0mm
9/32		RTx16-9/32	RTx20-9/32	RTx25-9/32	RTx32-9/32	RTx40-9/32
5/16		RTx16-5/16	RTx20-5/16	RTx25-5/16	RTx32-5/16	RTx40-5/16
	8.0	RTx16-8.0mm	RTx20-8.0mm	RTx25-8.0mm	RTx32-8.0mm	RTx40-8.0mm
11/32		RTx16-11/32	RTx20-11/32	RTx25-11/32	RTx32-11/32	RTx40-11/32
	9.0	RTx16-9.0mm	RTx20-9.0mm	RTx25-9.0mm	RTx32-9.0mm	RTx40-9.0mm
3/8		RTx16-3/8	RTx20-3/8	RTx25-3/8	RTx32-3/8	RTx40-3/8
	10.0	RTx16-10.0mm	RTx20-10.0mm	RTx25-10.0mm	RTx32-10.0mm	RTx40-10.0mm
13/32			RTx20-13/32	RTx25-5-13/32	RTx32-2-13/32	RTx40-0-13/32
	11.0		RTx20-11.0mm	RTx25-11.0mm	RTx32-11.0mm	RTx40-11.0mm
7/16			RTx20-7/16	RTx25-7/16	RTx32-7/16	RTx40-7/16
1/16			RTx20-1/16	RTx25-1/16	RTx32-1/16	RTx40-1/16
15/32			RTx20-15/32	RTx25-15/32	RTx32-15/32	RTx40-15/32
	12.0		RTx20-12.0mm	RTx25-12.0mm	RTx32-12.0mm	RTx40-12.0mm
1/2			RTx20-1/2	RTx25-1/2	RTx32-1/2	RTx40-1/2
	13.0		RTx20-13.0mm	RTx25-13.0mm	RTx32-13.0mm	RTx40-13.0mm
17/32				RTx25-17/32	RTx32-17/32	RTx40-17/32
	14.0			RTx25-14.0mm	RTx32-14.0mm	RTx40-14.0mm
9/16				RTx25-9/16	RTx32-9/16	RTx40-9/16
	15.0			RTx25-15.0mm	RTx32-15.0mm	RTx40-15.0mm
19/32				RTx25-19/32	RTx32-19/32	RTx40-19/32
5/8				RTx25-5/8	RTx32-5/8	RTx40-5/8
	16.0			RTx25-16.0mm	RTx32-16.0mm	RTx40-16.0mm
21/32					RTx32-21/32	RTx40-21/32
	17.0				RTx32-17.0mm	RTx40-17.0mm
11/16					RTx32-11/16	RTx40-11/16
	18.0				RTx32-18.0mm	RTx40-18.0mm
23/32					RTx32-23/32	RTx40-23/32
	19.0				RTx32-19.0mm	RTx40-19.0mm
3/4					RTx32-3/4	RTx40-3/4
25/32					RTx32-25/32	RTx40-25/32
	20.0				RTx32-20.0mm	RTx40-20.0mm

DNA (DEADNUTS ACCURATE) OR RTX COLLETS

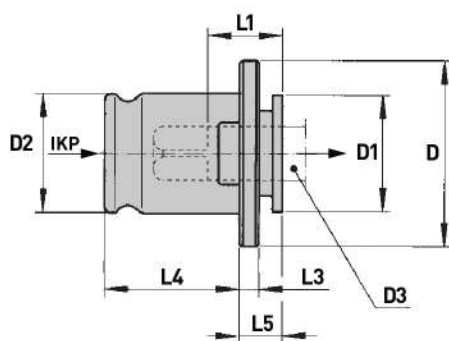
INCH SIZE	MM SIZE	DNA16 RTx16	DNA20 RTx20	DNA25 RTx25	DNA32 RTx32	DNA40 RTx40
13/16	21.0				RTx32-13/16	RTx40-13/16
27/32	22.0					RTx40-21mm
7/8	23.0					RTx40-27/32
29/32	24.0					RTx40-22.0mm
15/16	25.0					RTx40-7/8
31/32	26.0					RTx40-23.0mm
1						RTx40-29/32
						RTx40-15/16
						RTx40-24.0mm
						RTx40-31/32
						RTx40-25.0mm
						RTx40-1
						RTx40-26.0mm


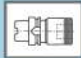
QUICK CHANGE TAP

ADAPTERS / COLLETS

DIMENSIONS:

WE-
QUICK
CHANGE
ADAPTER

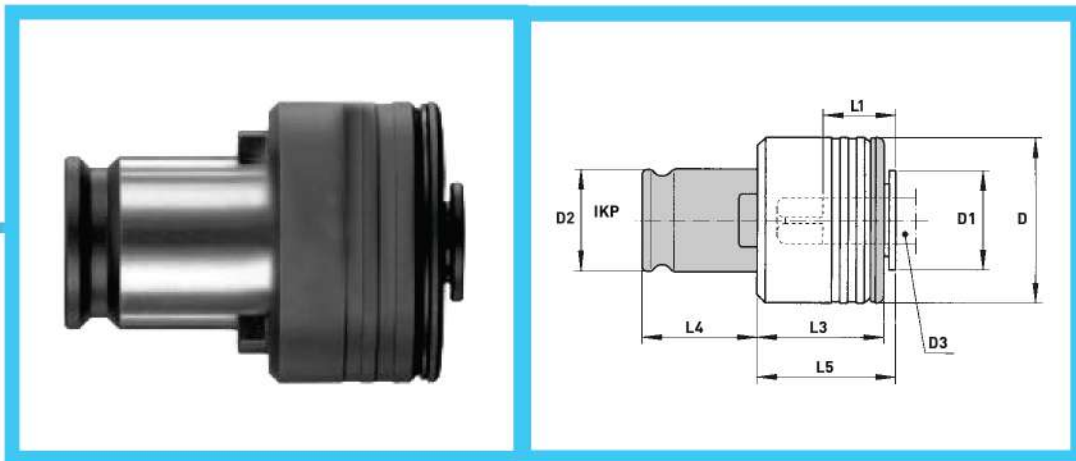




WE...B, DIN	WE 0	WE 1	WE 2	WE 3	WE 4 B	WE 40 B
	M1-M10	M3-M12	M8-M20	M14-M33	M22-M48	M6-M18
d3	2,5-8	3,5-11,3	7-18	11-28	18-36	6-14
	0	1+32	2	3	4	40
d	22	30	48	70	92	40
d1	13	19	30	48	60	25
d2	13	19	31	48	60	26
l1	15	17	30	44	71	30
l3	4	4	5	6	13	5
l4	19,5	21,5	35	55,5	63	32
l5	7	7	11	14	42	13

TAPPING ADAPTERS / COLLETS - QUICK CHANGE

DIMENSIONS:

WES - WITH SAFETY CLUTCH



WES...B, DIN	WES 0 B	WES 1 B	WES 2 B	WES 3 B	WES 4 B	WES 40 B
	M1-M10	M3-M12	M8-M20	M14-M33	M22-M48	M6-M18
d3	2,5-8	3,5-11,3	7-18	11-28	18-36	6-14
	0	1+32	2	3	4	40
d	23	32	48	70	92	40
d1	13	19	30	48	60	25
d2	13	19	31	48	60	26
l1	15	17	30	44	71	30
l3	20	25	5	6	13	5
l4	19,5	21,5	35	55,5	63	32
l5	21	25	11	21	14	13

FEATURES:

01

Change Taps
in seconds

02

Prevent Broken
Taps

03

Automatically stops
spinning when
bottom is reached

04

Metric & Inch
Collets / Adapters

TAPPING ADAPTERS/COLLETS

QUICK CHANGE

ANSI STANDARD TAPS

TAP SIZE	SHANK SIZE	SQUARE SIZE	SIZE - 0	SIZE - 1	SIZE - 2	SIZE - 3
#0-6	0.141	0.110	WE/S0-141	WE/S1-141		
#8	0.168	0.131	WE/S0-168	WE/S1-168		
#10	0.194	0.152	WE/S0-194	WE/S1-194		
#12	0.220	0.165	WE/S0-220	WE/S1-220		
1/4	0.255	0.191	WE/S0-255	WE/S1-255		
5/16	0.318	0.238		WE/S1-318	WE/S2-318	
3/8	0.381	0.286		WE/S1-381	WE/S2-381	
7/16	0.323	0.242		WE/S1-323	WE/S2-323	
1/2	0.367	0.275		WE/S1-367	WE/S2-367	WE/S3-367
9/16	0.429	0.322		WE/S1-429	WE/S2-429	WE/S3-429
5/8	0.480	0.360			WE/S2-480	WE/S3-480
11/16	0.542	0.406			WE/S2-542	WE/S3-542
3/4	0.590	0.442			WE/S2-590	WE/S3-590
13/16	0.652	0.489			WE/S2-652	WE/S3-652
7/8	0.697	0.523			WE/S2-697	WE/S3-697
15/16	0.760	0.570				
1"	0.800	0.600				
1/16-P	0.3125	0.234	WE/S0-3125	WE/S1-3125	WE/S2-3125	
1/8s-P	0.3125	0.234	WE/S0-3125s	WE/S1-3125s	WE/S2-3125s	
1/8-P	0.4375	0.328		WE/S1-4375	WE/S2-4375	
1/4-P	0.5625	0.421			WE/S2-5625	WE/S3-5625
3/8-P	0.7000	0.531				WE/S3-7000
1/2-P	0.6875	0.515				WE/S3-6875

DIN, ISO & JIS STANDARD TAPS

SHANK SIZE	SQUARE SIZE	SIZE - 0	SIZE - 1	SIZE - 2	SIZE - 3	SIZE - 4
2.8	2.1	WE/S0-2.8-2.1	WE/S1-2.8-2.1			
3.0	2.5	WE/S0-3.0-2.5	WE/S1-3.0-2.5			
3.15	2.5	WE/S0-3.15-2.5	WE/S1-3.15-2.5			
3.5	2.7	WE/S0-3.5-2.7	WE/S1-3.5-2.7			
3.55	2.8	WE/S0-3.55-2.8	WE/S1-3.55-2.8			
4.0	3.0	WE/S0-4.0-3.0	WE/S1-4.0-3.0			
4.0	3.2	WE/S0-4.0-3.2	WE/S1-4.0-3.2			
4.5	3.4	WE/S0-4.5-3.4	WE/S1-4.5-3.4			
5.0	4.0	WE/S0-5.0-4.0	WE/S1-5.0-4.0			
5.5	4.3	WE/S0-5.5-4.3	WE/S1-5.5-4.3			
5.6	4.5	WE/S0-5.6-4.5	WE/S1-5.6-4.5			

TAPPING ADAPTERS/COLLETS

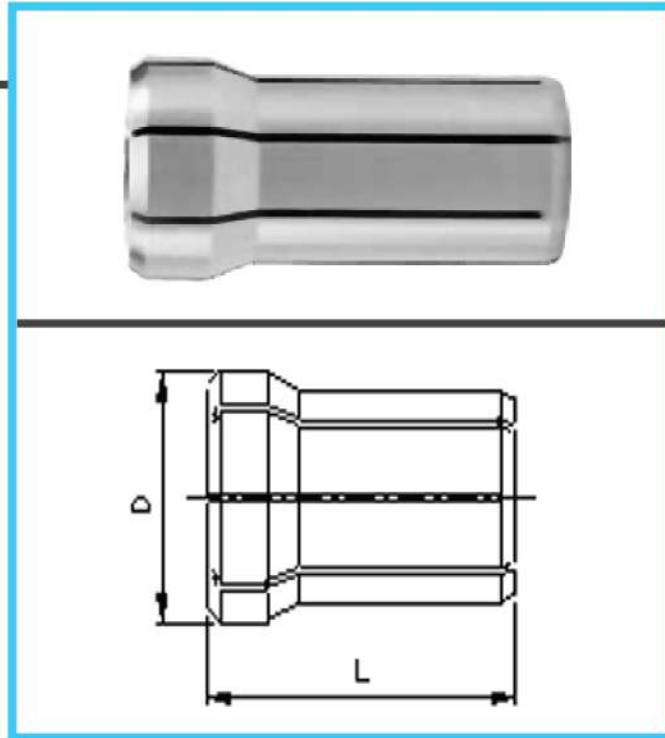
ADAPTERS/COLLETS

DIN, ISO & JIS STANDARD TAPS

SHANK SIZE	SQUARE SIZE	SIZE - 0	SIZE - 1	SIZE - 2	SIZE - 3	SIZE - 4
6.0	4.5	WE/S0-6.0-4.5	WE/S1-6.0-4.5			
6.0	4.9	WE/S0-6.0-4.9	WE/S1-6.0-4.9	WE/S2-6.0-4.9		
6.3	5.0	WE/S0-6.3-5.0	WE/S1-6.3-5.0	WE/S2-6.3-5.0		
7.0	5.0	WE/S0-7.0-5.0	WE/S1-7.0-5.0	WE/S2-7.0-5.0		
7.0	5.5	WE/S0-7.0-5.5	WE/S1-7.0-5.5	WE/S2-7.0-5.5		
7.1	5.6	WE/S0-7.1-5.6	WE/S1-7.1-5.6	WE/S2-7.1-5.6		
8.0	6.0	WE/S0-8.0-6.0	WE/S1-8.0-6.0	WE/S2-8.0-6.0		
8.0	6.2	WE/S0-8.0-6.2	WE/S1-8.0-6.2	WE/S2-8.0-6.2		
8.0	6.3		WE/S1-8.0-6.3	WE/S2-8.0-6.3		
8.5	6.5		WE/S1-8.5-6.5	WE/S2-8.5-6.5		
9.0	7.0		WE/S1-9.0-7.0	WE/S2-9.0-7.0		
10.0	8.0		WE/S1-10.0-8.0	WE/S2-10.0-8.0		
10.5	8.0		WE/S1-10.5-8.0	WE/S2-10.5-8.0		
11.0	9.0		WE/S1-11.0-9.0	WE/S2-11.0-9.0	WE/S3-11.0-9.0	
11.2	9.0			WE/S2-11.2-9.0	WE/S3-11.2-9.0	
12.0	9.0			WE/S2-12.0-9.0	WE/S3-12.0-9.0	
12.5	10.0			WE/S2-12.5-10.0	WE/S3-12.5-10.0	
14.0	11.0			WE/S2-14.0-11.0	WE/S3-14.0-11.0	
14.0	11.2			WE/S2-14.0-11.2	WE/S3-14.0-11.2	
15.0	12.0			WE/S2-15.0-12.0	WE/S3-15.0-12.0	
16.0	12.0			WE/S2-16.0-12.0	WE/S3-16.0-12.0	
16.0	12.5			WE/S2-16.0-12.5	WE/S3-16.0-12.5	
17.0	13.0			WE/S2-17.0-13.0	WE/S3-17.0-13.0	
18.0	14.0			WE/S2-18.0-14.0	WE/S3-18.0-14.0	WE/S4-18.0-14.0
18.0	14.5			WE/S2-18.0-14.5	WE/S3-18.0-14.5	WE/S4-18.0-14.5
19.0	15.0				WE/S3-19.0-15.0	WE/S4-19.0-15.0
20.0	16.0				WE/S3-20.0-16.0	WE/S4-20.0-16.0
20.0	15.0				WE/S3-20.0-15.0	WE/S4-20.0-15.0
22.0	18.0				WE/S3-22.0-18.0	WE/S4-22.0-18.0
22.4	18.0				WE/S3-22.4-18.0	WE/S4-22.4-18.0
25.0	20.0				WE/S3-25.0-20.0	WE/S4-25.0-20.0
28.0	22.0				WE/S3-28.0-22.0	WE/S4-28.0-22.0
28.0	22.4				WE/S3-28.0-22.4	WE/S4-28.0-22.4
31.5	25.0					WE/S4-31.5-25.0
32.0	24.0					WE/S4-32.0-24.0
36.0	29.0					WE/S4-36.0-29.0

DA-COLLETS

DIMENSIONS:



DA COLLET DIMENSION	DA 100	DA 180	DA 200	DA 300
D	0.769"	1.035"	0.532"	0.375"
L	1.44"	1.64"	1.19"	1.004
BORE RANGE	3/64-9/16	1/32-3/4	1/16-3/8	1/32-1/4
ACCURACY	0.0005" T.I.R. (at nose)			

FEATURES:

01

Double-Angle
(Erickson) Collet

02

DA 300, DA 200,
DA 100, DA 180 &
DA 400 Series available

03

Suitable for
Drilling, Reaming &
Tapping applicants

04

DA Sealed Collets
available

DA COLLETS

INCH SIZE	MM SIZE	DEC. MM	DA-100 418E	DA-180 419E	DA-200 417E	DA-300 416E	DA-400 465E
3/64		1.19	DA100-3/64	DA180-3/64	DA200-3/64	DA300-3/64	
	1.5	1.50	DA100-1.5mm	DA180-1.5mm	DA200-1.5mm	DA300-1.5mm	
5/64		1.98	DA100-5/64	DA180-5/64	DA200-5/64	DA300-5/64	
	2.0	2.00	DA100-2.0mm	DA180-2.0mm	DA200-2.0mm	DA300-2.0mm	
3/32		2.38	DA100-3/32	DA180-3/32	DA200-3/32	DA300-3/32	
	2.5	2.50	DA100-2.5mm	DA180-2.5mm	DA200-2.5mm	DA300-2.5mm	
7/64		2.78	DA100-7/64	DA180-7/64	DA200-7/64	DA300-7/64	
	3.0	3.00	DA100-3.0mm	DA180-3.0mm	DA200-3.0mm	DA300-3.0mm	
1/8		3.18	DA100-1/8	DA180-1/8	DA200-1/8	DA300-1/8	
	3.5	3.50	DA100-3.5mm	DA180-3.5mm	DA200-3.5mm	DA300-3.5mm	
9/64		3.57	DA100-9/64	DA180-9/64	DA200-9/64	DA300-9/64	
5/32		3.97	DA100-5/32	DA180-5/32	DA200-5/32	DA300-5/32	
	4.0	4.00	DA100-4.0mm	DA180-4.0mm	DA200-4.0mm	DA300-4.0mm	
11/64		4.37	DA100-11/64	DA180-11/64	DA200-11/64	DA300-11/64	
	4.5	4.50	DA100-4.5mm	DA180-4.5mm	DA200-4.5mm	DA300-4.5mm	
3/16		4.76	DA100-3/16	DA180-3/16	DA200-3/16	DA300-3/16	
	5.0	5.00	DA100-5.0mm	DA180-5.0mm	DA200-5.0mm	DA300-5.0mm	
13/64		5.16	DA100-13/64	DA180-13/64	DA200-13/64	DA300-13/64	
	5.5	5.50	DA100-5.5mm	DA180-5.5mm	DA200-5.5mm	DA300-5.5mm	
7/32		5.56	DA100-7/32	DA180-7/32	DA200-7/32	DA300-7/32	
15/64		5.95	DA100-15/64	DA180-15/64	DA200-15/64	DA300-15/64	
	6.0	6.00	DA100-6.0mm	DA180-6.0mm	DA200-6.0mm	DA300-6.0mm	DA400-6.0mm
1/4		6.35	DA100-1/4	DA180-1/4	DA200-1/4	DA300-1/4	DA400-1/4
	6.5	6.50	DA100-6.5mm	DA180-6.5mm	DA200-6.5mm		DA400-6.5mm
17/64		6.75	DA100-17/64	DA180-17/64	DA200-17/64		DA400-17/64
	7.0	7.00	DA100-7.0mm	DA180-7.0mm	DA200-7.0mm		DA400-7.0mm
9/32		7.14	DA100-9/32	DA180-9/32	DA200-9/32		DA400-9/32
	7.5	7.50	DA100-7.5mm	DA180-7.5mm	DA200-7.5mm		DA400-7.5mm
19/64		7.54	DA100-19/64	DA180-19/64	DA200-19/64		DA400-19/64
5/16		7.94	DA100-5/16	DA180-5/16	DA200-5/16		DA400-5/16
	8.0	8.00	DA100-8.0mm	DA180-8.0mm	DA200-8.0mm		DA400-8.0mm
21/64		8.33	DA100-21/64	DA180-21/64	DA200-21/64		DA400-21/64
	8.5	8.50	DA100-8.5mm	DA180-8.5mm	DA200-8.5mm		DA400-8.5mm
11/32		8.73	DA100-11/32	DA180-11/32	DA200-11/32		DA400-11/32
	9.0	9.00	DA100-9.0mm	DA180-9.0mm	DA200-9.0mm		DA400-9.0mm
23/64		9.13	DA100-23/64	DA180-23/64	DA200-23/64		DA400-23/64
	9.5	9.50	DA100-9.5mm	DA180-9.5mm	DA200-9.5mm		DA400-9.5mm
3/8		9.53	DA100-3/8	DA180-3/8	DA200-3/8		DA400-3/8
25/64		9.92	DA100-25/64	DA180-25/64			DA400-25/64
	10.0	10.00	DA100-10.0mm	DA180-10.0mm			DA400-10.0mm
13/32		10.32	DA100-00-13/32	DA180-80-13/32			DA400-00-13/32

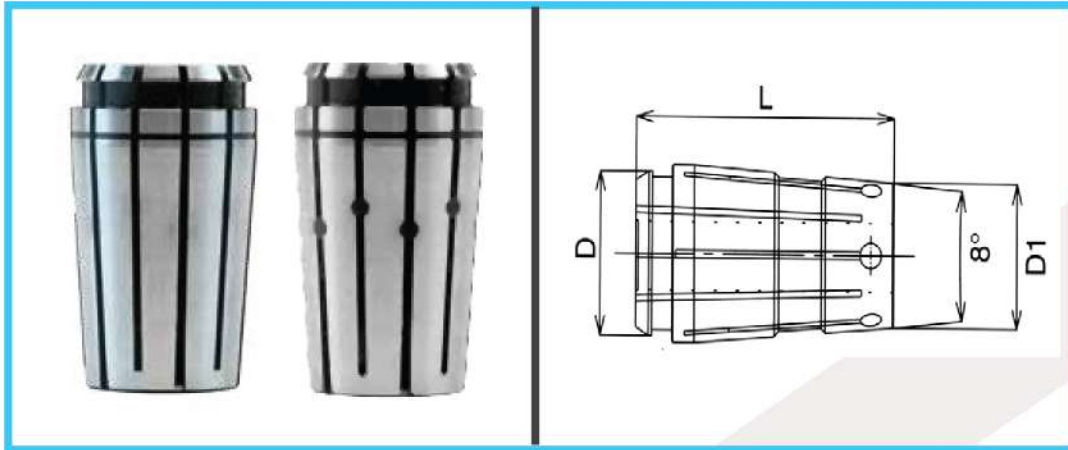
DA COLLETS

INCH SIZE	MM SIZE	DEC. MM	DA-100 418E	DA-180 419E	DA-200 417E	DA-300 416E	DA-400 465E
	10.5	10.50	DA100-27/64	DA180-10.5mm			DA400-10.5mm
27/64		10.72	DA100-11.0mm	DA180-27/64			DA400-27/64
	11.0	11.00	DA100-7/16	DA180-11.0mm			DA400-11.0mm
7/16		11.11	DA100-11.5mm	DA180-7/16			DA400-7/16
	11.5	11.50	DA100-29/64	DA180-11.5mm			DA400-11.5mm
29/64		11.51	DA100-1/16	DA180-29/64			DA400-29/64
15/32		11.91	DA100-12.0mm	DA180-15/32			DA400-15/32
	12.0	12.00	DA100-31/64	DA180-12.0mm			DA400-12.0mm
31/64		12.30	DA100-12.5mm	DA180-31/64			DA400-31/64
	12.5	12.50	DA100-1/2	DA180-12.5mm			DA400-12.5mm
1/2		12.70	DA100-13.0mm	DA180-1/2			DA400-1/2
	13.0	13.00	DA100-33/64	DA180-13.0mm			DA400-13.0mm
33/64		13.10	DA100-17/32	DA180-33/64			DA400-33/64
17/32		13.49	DA100-13.5mm	DA180-17/32			DA400-17/32
	13.5	13.50	DA100-35/64	DA180-13.5mm			DA400-13.5mm
35/64		13.89	DA100-14.0mm	DA180-35/64			DA400-35/64
	14.0	14.00	DA100-9/16	DA180-14.0mm			DA400-14.0mm
9/16		14.29		DA180-9/16			DA400-9/16
	14.5	14.50		DA180-14.5mm			DA400-14.5mm
37/64		14.68		DA180-37/64			DA400-37/64
	15.0	15.00		DA180-15.0mm			DA400-15.0mm
19/32		15.08		DA180-19/32			DA400-19/32
39/64		15.48		DA180-39/64			DA400-39/64
	15.5	15.50		DA180-15.5mm			DA400-15.5mm
5/8		15.88		DA180-5/8			DA400-5/8
	16.0	16.00		DA180-16.0mm			DA400-16.0mm
41/64		16.27		DA180-41/64			DA400-41/64
	16.5	16.50		DA180-16.5mm			DA400-16.5mm
21/32		16.67		DA180-21/32			DA400-21/32
	17.0	17.00		DA180-17.0mm			DA400-17.0mm
43/64		17.07		DA180-43/64			DA400-43/64
11/16		17.46		DA180-11/16			DA400-11/16
	17.5	17.50		DA180-17.5mm			DA400-17.5mm
45/64		17.86		DA180-45/64			DA400-45/64
	18.0	18.00		DA180-18.0mm			DA400-18.0mm
23/32		18.26		DA180-23/32			DA400-23/32
	18.5	18.50		DA180-18.5mm			DA400-18.5mm
47/64		18.65		DA180-47/64			DA400-47/64
	19.0	19.00		DA180-19.0mm			DA400-19.0mm
3/4		19.05		DA180-3/4			DA400-3/4

TG-COLLETS

REGULAR & SEALED

DIMENSIONS:



DIMENSION	TG 75	TG 100	TG 150
D	1.063"	1.278"	1.875"
L	1.844"	2.386"	3.000"
Bore Range	3/64 - 3/4	3/64 - 1"	1/2 - 1-1/2"

FEATURES:

01

TG Collets collapse approx. 1/64"

02

Machined to exacting standards

03

Ideal choice for high speed and high precision milling and drilling operations

04

TG Coolant Collets are designed for use with tooling requiring through spindle coolant

05

Tolerance: 0.0003 at collet nose

TG COLLETS

REGULAR & SEALED

INCH SIZE	MM SIZE	DEC. MM	TG75 420E	TG100 464E	TG150 466E
1/8		3.18	TG75-1/8	TG100-1/8	
9/64		3.57	TG75-9/64	TG100-9/64	
5/32		3.97	TG75-5/32	TG100-5/32	
	4.0	4.00	TG75-4.0mm	TG100-4.0mm	
11/64		4.37	TG75-11/64	TG100-11/64	
3/16		4.76	TG75-3/16	TG100-3/16	
	5.0	5.00	TG75-5.0mm	TG100-5.0mm	
13/64		5.16	TG75-13/64	TG100-13/64	
7/32		5.56	TG75-7/32	TG100-7/32	
15/64		5.95	TG75-15/64	TG100-15/64	
	6.0	6.00	TG75-6.0mm	TG100-6.0mm	
1/4		6.35	TG75-1/4	TG100-1/4	
17/64		6.75	TG75-17/64	TG100-17/64	
	7.0	7.00	TG75-7.0mm	TG100-7.0mm	
9/32		7.14	TG75-9/32	TG100-9/32	
19/64		7.54	TG75-19/64	TG100-19/64	
5/16		7.94	TG75-5/16	TG100-5/16	
	8.0	8.00	TG75-8.0mm	TG100-8.0mm	
21/64		8.33	TG75-21/64	TG100-21/64	
11/32		8.73	TG75-11/32	TG100-11/32	
	9.0	9.00	TG75-9.0mm	TG100-9.0mm	
23/64		9.13	TG75-23/64	TG100-23/64	
3/8		9.53	TG75-3/8	TG100-3/8	TG150-3/8
25/64		9.92	TG75-25/64	TG100-25/64	TG150-25/64
	10.0	10.00	TG75-10.0mm	TG100-10.0mm	TG150-10.0mm
13/32		10.32	TG75-5-13/32	TG100-00-13/32	TG150-00-13/32
27/64		10.72	TG75-27/64	TG100-27/64	TG150-27/64
	11.0	11.00	TG75-11.0mm	TG100-11.0mm	TG150-11.0mm
7/16		11.11	TG75-7/16	TG100-7/16	TG150-7/16
29/64		11.51	TG75-29/64	TG100-29/64	TG150-29/64
1/16		1.59	TG75-1/16	TG100-1/16	TG150-1/16
15/32		11.91	TG75-15/32	TG100-15/32	TG150-15/32
	12.0	12.00	TG75-12.0mm	TG100-12.0mm	TG150-12.0mm
31/64		12.30	TG75-31/64	TG100-31/64	TG150-31/64
1/2		12.70	TG75-1/2	TG100-1/2	TG150-1/2
	13.0	13.00	TG75-13.0mm	TG100-13.0mm	TG150-13.0mm
33/64		13.10	TG75-33/64	TG100-33/64	TG150-33/64
17/32		13.49	TG75-17/32	TG100-17/32	TG150-17/32
35/64		13.89	TG75-35/64	TG100-35/64	TG150-35/64
	14.0	14.00	TG75-14.0mm	TG100-14.0mm	TG150-14.0mm

TG COLLETS

REGULAR & SEALED

INCH SIZE	MM Size	DEC. MM	TG75 420E	TG100 464E	TG150 466E
9/16		14.29	TG75-9/16	TG100-9/16	TG150-9/16
37/64		14.68	TG75-37/64	TG100-37/64	TG150-37/64
	15.0	15.00	TG75-15.0mm	TG100-15.0mm	TG150-15.0mm
19/32		15.08	TG75-19/32	TG100-19/32	TG150-19/32
39/64		15.48	TG75-39/64	TG100-39/64	TG150-39/64
5/8		15.88	TG75-5/8	TG100-5/8	TG150-5/8
	16.0	16.00	TG75-16.0mm	TG100-16.0mm	TG150-16.0mm
41/64		16.27	TG75-41/64	TG100-41/64	TG150-41/64
21/32		16.67	TG75-21/32	TG100-21/32	TG150-21/32
	17.0	17.00	TG75-17.0mm	TG100-17.0mm	TG150-17.0mm
43/64		17.07	TG75-43/64	TG100-43/64	TG150-43/64
11/16		17.46	TG75-11/16	TG100-11/16	TG150-11/16
45/64		17.86	TG75-45/64	TG100-45/64	TG150-45/64
	18.0	18.00	TG75-18.0mm	TG100-18.0mm	TG150-18.0mm
23/32		18.26	TG75-23/32	TG100-23/32	TG150-23/32
47/64		18.65	TG75-47/64	TG100-47/64	TG150-47/64
	19.0	19.00	TG75-19.0mm	TG100-19.0mm	TG150-19.0mm
3/4		19.05	TG75-3/4	TG100-3/4	TG150-3/4
49/64		19.45		TG100-49/64	TG150-49/64
25/32		19.84		TG100-25/32	TG150-25/32
	20.0	20.00		TG100-20.0mm	TG150-20.0mm
51/64		20.24		TG100-51/64	TG150-51/64
13/16		20.64		TG100-13/16	TG150-13/16
	21.0	21.00		TG100-21.0mm	TG150-21.0mm
53/64		21.03		TG100-53/64	TG150-53/64
27/32		21.43		TG100-27/32	TG150-27/32
55/64		21.83		TG100-55/64	TG150-55/64
	22.0	22.00		TG100-22.0mm	TG150-22.0mm
7/8		22.23		TG100-7/8	TG150-7/8
57/64		22.62		TG100-57/64	TG150-57/64
	23.0	23.00		TG100-23.0mm	TG150-23.0mm
29/32		23.02		TG100-29/32	TG150-29/32
59/64		23.42		TG100-59/64	TG150-59/64
15/16		23.81		TG100-15/16	TG150-15/16
	24.0	24.00		TG100-24.0mm	TG150-24.0mm
61/64		24.21		TG100-61/64	TG150-61/64
31/32		24.61		TG100-31/32	TG150-31/32
	25.0	25.00		TG100-25.0mm	TG150-25.0mm
63/64		25.00		TG100-63/64	TG150-63/64
1		25.40		TG100-00-1	TG150-1

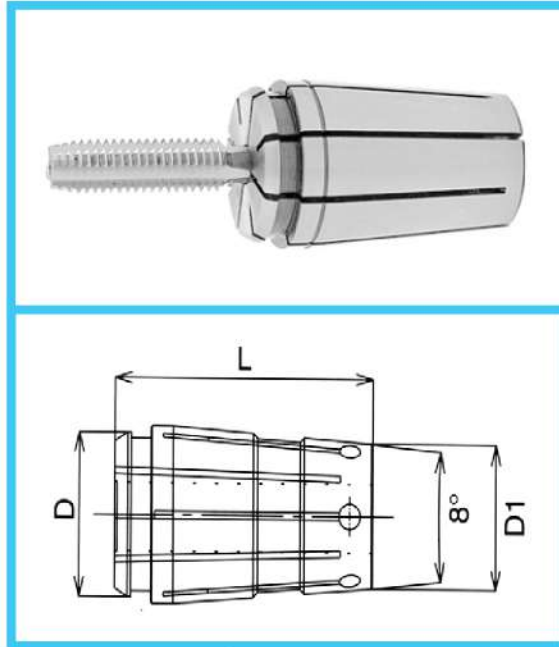
TG COLLETS

REGULAR & SEALED

Inch Size	MM Size	Dec. MM	TG75 420E	TG100 464E	TG150 466E
	26.0	26.00			TG150-26.0mm
1 1/16		26.99			TG150-1-1/16
	27.0	27.00			TG150-27.0mm
	28.0	28.00			TG150-28.0mm
1 1/8		28.58			TG150-1-1/8
	29.0	29.00			TG150-29.0mm
	30.0	30.00			TG150-30.0mm
1 3/16		30.16			TG150-1-3/16
	31.0	31.00			TG150-31.0mm
1 1/4		31.75			TG150-1-1/4
	32.0	32.00			TG150-32.0mm
	33.0	33.00			TG150-33.0mm
1 5/16		33.34			TG150-1-5/16
	34.0	34.00			TG150-34.0mm
1 3/8		34.93			TG150-1-3/8
	35.0	35.00			TG150-35.0mm
	36.0	36.00			TG150-36.0mm
1 7/16		36.51			TG150-1-7/16
	37.0	37.00			TG150-37.0mm
	38.0	38.00			TG150-38.0mm
1 1/2		38.10			TG150-1-1/2

TG TAP-COLLETS

DIMENSIONS:



DIMENSION	TG 75	TG 100	TG 150
D	1.063"	1.278"	1.875"
L	1.844"	2.386"	3.000"
Bore Range	3/64 - 3/4	3/64 - 1"	1/2 - 1-1/2"

FEATURES:

01

For synchronous tapping operation using Standard TG Collet Chuck.

02

Collet bore is exactly to the Tap shank diameter with square drive for accuracy and rigidity.

ANSI STANDARD TAPS

TAP SIZE	SHANK SIZE	SQUARE SIZE	TG 75	TG100	TG150
1/4	0.255	0.191	TGT75-255	TGT100-255	TGT150-255
5/16	0.318	0.238	TGT75-318	TGT100-318	TGT150-318
3/8	0.381	0.286	TGT75-381	TGT100-381	TGT150-381
7/16	0.323	0.242	TGT75-323	TGT100-323	TGT150-323
1/2	0.367	0.275	TGT75-367	TGT100-367	TGT150-367
9/16	0.429	0.322	TGT75-429	TGT100-429	TGT150-429
5/8	0.480	0.360	TGT75-480	TGT100-480	TGT150-480
11/16	0.542	0.406	TGT75-542	TGT100-542	TGT150-542
3/4	0.590	0.442	TGT75-590	TGT100-590	TGT150-590
13/16	0.652	0.489	TGT75-652	TGT100-652	TGT150-652
7/8	0.697	0.523	TGT75-697	TGT100-697	TGT150-697
15/16	0.760	0.570	TGT75-760	TGT100-760	TGT150-760
1"	0.800	0.600	TGT75-800	TGT100-800	TGT150-800

DIN, ISO & JIS STANDARD TAPS

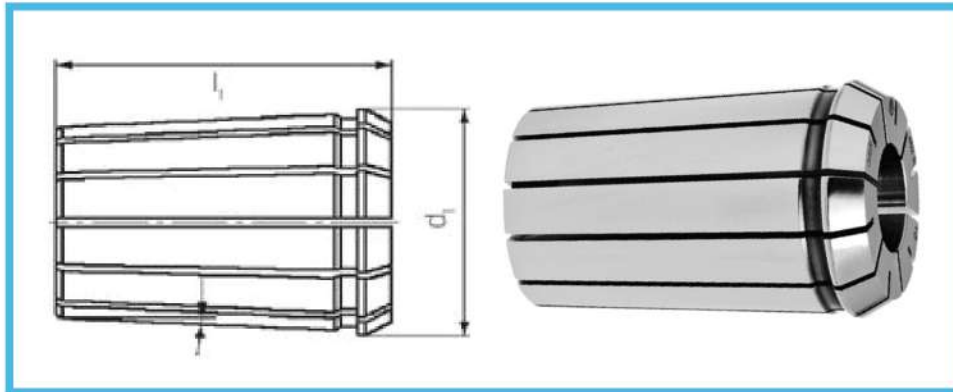
SHANK SIZE	SQUARE SIZE	TG75	TG100	TG150
3.0	2.5	TGT75-3.0-2.5	TGT100-3.0-2.5	TGT150-3.0-2.5
3.15	2.5	TGT75-3.15-2.5	TGT100-3.15-2.5	TGT150-3.15-2.5
3.5	2.7	TGT75-3.5-2.7	TGT100-3.5-2.7	TGT150-3.5-2.7
3.55	2.8	TGT75-3.55-2.8	TGT100-3.55-2.8	TGT150-3.55-2.8
4.0	3.0	TGT75-4.0-3.0	TGT100-4.0-3.0	TGT150-4.0-3.0
4.0	3.2	TGT75-4.0-3.2	TGT100-4.0-3.2	TGT150-4.0-3.2
4.5	3.4	TGT75-4.5-3.4	TGT100-4.5-3.4	TGT150-4.5-3.4
5.0	4.0	TGT75-5.0-4.0	TGT100-5.0-4.0	TGT150-5.0-4.0
5.5	4.3	TGT75-5.5-4.3	TGT100-5.5-4.3	TGT150-5.5-4.3
5.6	4.5	TGT75-5.6-4.5	TGT100-5.6-4.5	TGT150-5.6-4.5
6.0	4.5	TGT75-6.0-4.5	TGT100-6.0-4.5	TGT150-6.0-4.5
6.0	4.9	TGT75-6.0-4.9	TGT100-6.0-4.9	TGT150-6.0-4.9
6.3	5.0	TGT75-6.3-5.0	TGT100-6.3-5.0	TGT150-6.3-5.0
7.0	5.0	TGT75-7.0-5.0	TGT100-7.0-5.0	TGT150-7.0-5.0
7.0	5.5	TGT75-7.0-5.5	TGT100-7.0-5.5	TGT150-7.0-5.5
7.1	5.6	TGT75-7.1-5.6	TGT100-7.1-5.6	TGT150-7.1-5.6
8.0	6.0	TGT75-8.0-6.0	TGT100-8.0-6.0	TGT150-8.0-6.0
8.0	6.2	TGT75-8.0-6.2	TGT100-8.0-6.2	TGT150-8.0-6.2
8.0	6.3	TGT75-8.0-6.3	TGT100-8.0-6.3	TGT150-8.0-6.3
8.5	6.5	TGT75-8.5-6.5	TGT100-8.5-6.5	TGT150-8.5-6.5
9.0	7.0	TGT75-9.0-7.0	TGT100-9.0-7.0	TGT150-9.0-7.0

TGTAP COLLETS

SHANK SIZE	SQUARE SIZE	TG75	TG100	TG150
10.0	8.0	TGT75-10.0-8.0	TGT100-10.0-8.0	TGT150-10.0-8.0
10.5	8.0	TGT75-10.5-8.0	TGT100-10.5-8.0	TGT150-10.5-8.0
11.0	9.0	TGT75-11.0-9.0	TGT100-11.0-9.0	TGT150-11.0-9.0
11.2	9.0	TGT75-11.2-9.0	TGT100-11.2-9.0	TGT150-11.2-9.0
12.0	9.0	TGT75-12.0-9.0	TGT100-12.0-9.0	TGT150-12.0-9.0
12.5	10.0	TGT75-12.5-10.0	TGT100-12.5-10.0	TGT150-12.5-10.0
14.0	11.0	TGT75-14.0-11.0	TGT100-14.0-11.0	TGT150-14.0-11.0
14.0	11.2	TGT75-14.0-11.2	TGT100-14.0-11.2	TGT150-14.0-11.2
15.0	12.0	TGT75-15.0-12.0	TGT100-15.0-12.0	TGT150-15.0-12.0
16.0	12.0	TGT75-16.0-12.0	TGT100-16.0-12.0	TGT150-16.0-12.0
16.0	12.5	TGT75-16.0-12.5	TGT100-16.0-12.5	TGT150-16.0-12.5
17.0	13.0		TGT100-17.0-13.0	TGT150-17.0-13.0
18.0	14.5		TGT100-18.0-14.5	TGT150-18.0-14.5
18.0	14.0		TGT100-18.0-14.0	TGT150-18.0-14.0
19.0	15.0		TGT100-19.0-15.0	TGT150-19.0-15.0
20.0	16.0		TGT100-20.0-16.0	TGT150-20.0-16.0
20.0	15.0		TGT100-20.0-15.0	TGT150-20.0-15.0
22.0	18.0		TGT100-22.0-18.0	TGT150-22.0-18.0
22.4	18.0		TGT100-22.4-18.0	TGT150-22.4-18.0
25.0	20.0		TGT100-25.0-20.0	TGT150-25.0-20.0

OZ/EOC-COLLETS

ACCURACY:



DIMENSIONS:

OZ SERIES	REFERENCE #	d1	l1
OZ6	400E	11.5mm	21mm
OZ8	401E	14.5mm	26mm
OZ10	404E	17.2mm	30mm
OZ12	407E	19.8mm	34mm
OZ16	415E	25.5mm	40mm
OZ20	4541E	29.8mm	45mm
OZ25	462E	35.05mm	52mm
OZ32	467E	43.7mm	60mm
OZ40	468E	52.2mm	68mm

FEATURES:

01

Fractional Collets manufactured specifically for USA market requirements

02

All edges are not only deburred, but additionally rounded for repeatability

03

Crafted from high quality European spring steel

04

Inch & Metric sizes available

05

More clamping force

OZ/EOC COLLETS

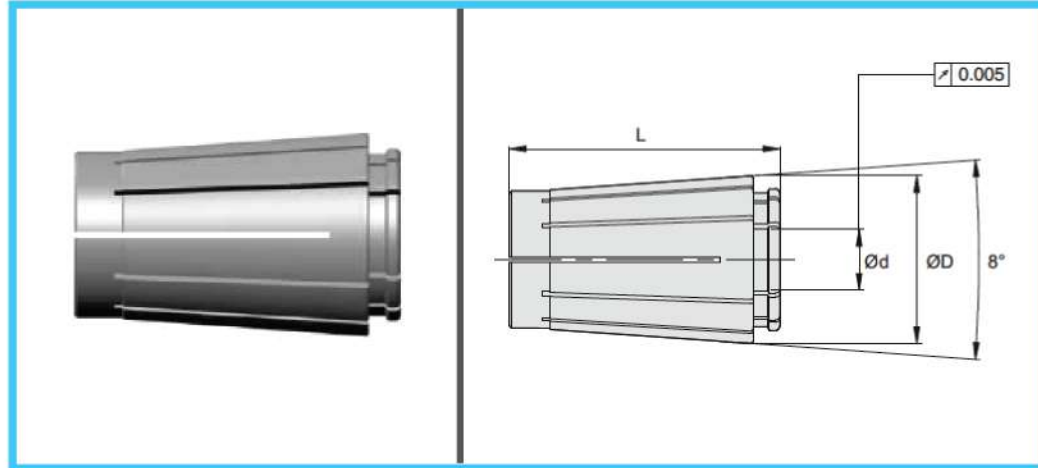
MM SIZE	OZ-6 400 E	OZ-8 401 E	OZ-10 404 E	OZ-12 407 E	OZ-16 415 E	OZ-20 4541E	OZ-25 462E	OZ-32 467E	OZ-40 468 E
	EOC-6	EOC-8	EOC-10	EOC-12	EOC-16	EOC-20	EOC-25	EOC-32	EOC-40
1	OZ6-1mm	OZ8-1mm	OZ10-1mm	OZ12-1mm					
1.5	OZ6-1.5mm	OZ8-1.5mm	OZ10-1.5mm	OZ12-1.5mm					
2	OZ6-2mm	OZ8-2mm	OZ10-2mm	OZ12-2mm	OZ16-2mm	OZ20-2mm			
2.5	OZ6-2.5mm	OZ8-2.5mm	OZ10-2.5mm	OZ12-2.5mm	OZ16-2.5mm	OZ20-2.5mm			
3	OZ6-3mm	OZ8-3mm	OZ10-3mm	OZ12-3mm	OZ16-3mm	OZ20-3mm			
3.5	OZ6-3.5mm	OZ8-3.5mm	OZ10-3.5mm	OZ12-3.5mm	OZ16-3.5mm	OZ20-3.5mm			
4	OZ6-4mm	OZ8-4mm	OZ10-4mm	OZ12-4mm	OZ16-4mm	OZ20-4mm	OZ25-4mm	OZ32-4mm	
4.5	OZ6-4.5mm	OZ8-4.5mm	OZ10-4.5mm	OZ12-4.5mm	OZ16-4.5mm	OZ20-4.5mm	OZ25-4.5mm	OZ32-4.5mm	
5	OZ6-5mm	OZ8-5mm	OZ10-5mm	OZ12-5mm	OZ16-5mm	OZ20-5mm	OZ25-5mm	OZ32-5mm	
5.5	OZ6-5.5mm	OZ8-5.5mm	OZ10-5.5mm	OZ12-5.5mm	OZ16-5.5mm	OZ20-5.5mm	OZ25-5.5mm	OZ32-5.5mm	
6	OZ6-6mm	OZ8-6mm	OZ10-6mm	OZ12-6mm	OZ16-6mm	OZ20-6mm	OZ25-6mm	OZ32-6mm	OZ40-6mm
6.5		OZ8-6.5mm	OZ10-6.5mm	OZ12-6.5mm	OZ16-6.5mm	OZ20-6.5mm	OZ25-6.5mm	OZ32-6.5mm	OZ40-6.5mm
7		OZ8-7mm	OZ10-7mm	OZ12-7mm	OZ16-7mm	OZ20-7mm	OZ25-7mm	OZ32-7mm	OZ40-7mm
7.5		OZ8-7.5mm	OZ10-7.5mm	OZ12-7.5mm	OZ16-7.5mm	OZ20-7.5mm	OZ25-7.5mm	OZ32-7.5mm	OZ40-7.5mm
8		OZ8-8mm	OZ10-8mm	OZ12-8mm	OZ16-8mm	OZ20-8mm	OZ25-8mm	OZ32-8mm	OZ40-8mm
8.5			OZ10-8.5mm	OZ12-8.5mm	OZ16-8.5mm	OZ20-8.5mm	OZ25-8.5mm	OZ32-8.5mm	OZ40-8.5mm
9			OZ10-9mm	OZ12-9mm	OZ16-9mm	OZ20-9mm	OZ25-9mm	OZ32-9mm	OZ40-9mm
9.5			OZ10-9.5mm	OZ12-9.5mm	OZ16-9.5mm	OZ20-9.5mm	OZ25-9.5mm	OZ32-9.5mm	OZ40-9.5mm
10			OZ10-10mm	OZ12-10mm	OZ16-10mm	OZ20-10mm	OZ25-10mm	OZ32-10mm	OZ40-10mm
10.5				OZ12-10.5mm	OZ16-10.5mm	OZ20-10.5mm	OZ25-10.5mm	OZ32-10.5mm	OZ40-10.5mm
11				OZ12-11mm	OZ16-11mm	OZ20-11mm	OZ25-11mm	OZ32-11mm	OZ40-11mm
11.5				OZ12-11.5mm	OZ16-11.5mm	OZ20-11.5mm	OZ25-11.5mm	OZ32-11.5mm	OZ40-11.5mm
12				OZ12-12mm	OZ16-12mm	OZ20-12mm	OZ25-12mm	OZ32-12mm	OZ40-12mm
12.5					OZ16-12.5mm	OZ20-12.5mm	OZ25-12.5mm	OZ32-12.5mm	OZ40-12.5mm
13					OZ16-13mm	OZ20-13mm	OZ25-13mm	OZ32-13mm	OZ40-13mm
13.5					OZ16-13.5mm	OZ20-13.5mm	OZ25-13.5mm	OZ32-13.5mm	OZ40-13.5mm
14					OZ16-14mm	OZ20-14mm	OZ25-14mm	OZ32-14mm	OZ40-14mm
14.5					OZ16-14.5mm	OZ20-14.5mm	OZ25-14.5mm	OZ32-14.5mm	OZ40-14.5mm
15					OZ16-15mm	OZ20-15mm	OZ25-15mm	OZ32-15mm	OZ40-15mm
15.5					OZ16-15.5mm	OZ20-15.5mm	OZ25-15.5mm	OZ32-15.5mm	OZ40-15.5mm
16					OZ16-16mm	OZ20-16mm	OZ25-16mm	OZ32-16mm	OZ40-16mm
16.5						OZ20-16.5mm	OZ25-16.5mm	OZ32-16.5mm	OZ40-16.5mm
17						OZ20-17mm	OZ25-17mm	OZ32-17mm	OZ40-17mm
17.5						OZ20-17.5mm	OZ25-17.5mm	OZ32-17.5mm	OZ40-17.5mm
18						OZ20-18mm	OZ25-18mm	OZ32-18mm	OZ40-18mm
18.5						OZ20-18.5mm	OZ25-18.5mm	OZ32-18.5mm	OZ40-18.5mm
19						OZ20-19mm	OZ25-19mm	OZ32-19mm	OZ40-19mm
19.5						OZ20-19.5mm	OZ25-19.5mm	OZ32-19.5mm	OZ40-19.5mm

OZ/EOC COLLETS

MM SIZE	OZ-6 400 E	OZ-8 401 E	OZ-10 404 E	OZ-12 407 E	OZ-16 415 E	OZ-20 4541E	OZ-25 462E	OZ-32 467E	OZ-40 468 E
	EOC-6	EOC-8	EOC-10	EOC-12	EOC-16	EOC-20	EOC-25	EOC-32	EOC-40
20							OZ25-20mm	OZ32-20mm	OZ40-20mm
20.5							OZ25-20.5mm	OZ32-20.5mm	OZ40-20.5mm
21							OZ25-21mm	OZ32-21mm	OZ40-21mm
21.5							OZ25-21.5mm	OZ32-21.5mm	OZ40-21.5mm
22							OZ25-22mm	OZ32-22mm	OZ40-22mm
22.5							OZ25-22.5mm	OZ32-22.5mm	OZ40-22.5mm
23							OZ25-23mm	OZ32-23mm	OZ40-23mm
23.5							OZ25-23.5mm	OZ32-23.5mm	OZ40-23.5mm
24							OZ25-24mm	OZ32-24mm	OZ40-24mm
24.5							OZ25-24.5mm	OZ32-24.5mm	OZ40-24.5mm
25							OZ25-25mm	OZ32-25mm	OZ40-25mm
25.5								OZ32-25.5mm	OZ40-25.5mm
26								OZ32-26mm	OZ40-26mm
27								OZ32-27mm	OZ40-27mm
28								OZ32-28mm	OZ40-28mm
29								OZ32-29mm	OZ40-29mm
30								OZ32-30mm	OZ40-30mm
31								OZ32-31mm	OZ40-31mm
32								OZ32-32mm	OZ40-32mm
33									OZ40-33mm
34									OZ40-34mm
35									OZ40-35mm
36									OZ40-36mm
37									OZ40-37mm
38									OZ40-38mm
39									OZ40-39mm
40									OZ40-40mm

SK-COLLETS SUPER COLLETS

ACCURACY:



DIMENSIONS:

SK COLLET SERIES	D	L
SK6	11mm	25mm
SK10	16mm	30mm
SK13	20mm	39mm
SK16	25mm	45mm
SK20	30mm	50mm
SK25	36mm	57mm

FEATURES:

01

Higher accuracy and rigidity compared to other collets

02

Applicable for all milling, drilling, reaming and rigid tapping applications

03

Covers sizes from .027" to 1"

04

Covers size from 1mm to 25mm

05

Inch & Metric sizes available

06

Accuracy - 5 micron or 0.00019"

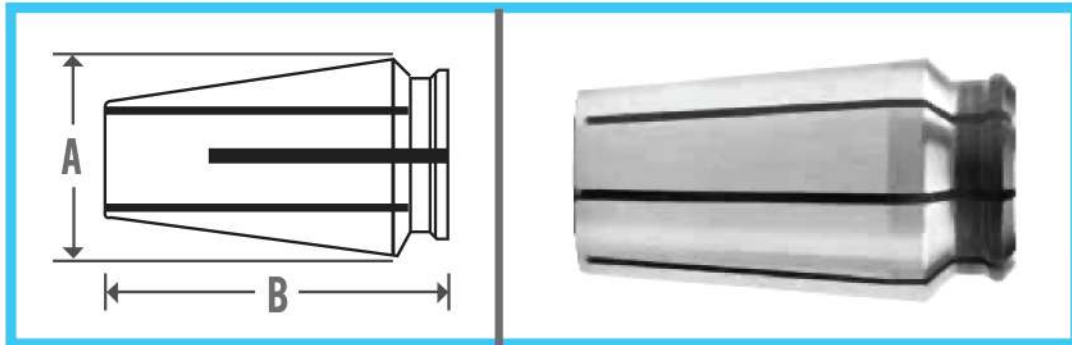
INCH SIZE	MM SIZE	SK6	SK10	SK13	SK16	SK20	SK25
	2.0	SK6-2.0mm	SK10-2.0mm				
3/32		SK6-3/32	SK10-3/32				
	2.5	SK6-2.5mm	SK10-2.5mm				
	3.0	SK6-3.0mm	SK10-3.0mm	SK13-3.0mm	SK16-3.0mm	SK20-3.0mm	SK25-3.0mm
1/8		SK6-1/8	SK10-1/8	SK13-1/8	SK16-1/8	SK20-1/8	SK25-1/8
	3.5	SK6-3.5mm	SK10-3.5mm	SK13-3.5mm	SK16-3.5mm	SK20-3.5mm	SK25-3.5mm
5/32		SK6-5/32	SK10-5/32	SK13-5/32	SK16-5/32	SK20-5/32	SK25-5/32
	4.0	SK6-4.0mm	SK10-4.0mm	SK13-4.0mm	SK16-4.0mm	SK20-4.0mm	SK25-4.0mm
	4.5	SK6-4.5mm	SK10-4.5mm	SK13-4.5mm	SK16-4.5mm	SK20-4.5mm	SK25-4.5mm
3/16		SK6-3/16	SK10-3/16	SK13-3/16	SK16-3/16	SK20-3/16	SK25-3/16
	5.0	SK6-5.0mm	SK10-5.0mm	SK13-5.0mm	SK16-5.0mm	SK20-5.0mm	SK25-5.0mm
	5.5	SK6-5.5mm	SK10-5.5mm	SK13-5.5mm	SK16-5.5mm	SK20-5.5mm	SK25-5.5mm
7/32		SK6-7/32	SK10-7/32	SK13-7/32	SK16-7/32	SK20-7/32	SK25-7/32
	6.0	SK6-6.0mm	SK10-6.0mm	SK13-6.0mm	SK16-6.0mm	SK20-6.0mm	SK25-6.0mm
1/4			SK10-1/4	SK13-1/4	SK16-1/4	SK20-1/4	SK25-1/4
	6.5		SK10-6.5mm	SK13-6.5mm	SK16-6.5mm	SK20-6.5mm	SK25-6.5mm
	7.0		SK10-7.0mm	SK13-7.0mm	SK16-7.0mm	SK20-7.0mm	SK25-7.0mm
9/32			SK10-9/32	SK13-9/32	SK16-9/32	SK20-9/32	SK25-9/32
	7.5		SK10-7.5mm	SK13-7.5mm	SK16-7.5mm	SK20-7.5mm	SK25-7.5mm
5/16			SK10-5/16	SK13-5/16	SK16-5/16	SK20-5/16	SK25-5/16
	8.0		SK10-8.0mm	SK13-8.0mm	SK16-8.0mm	SK20-8.0mm	SK25-8.0mm
	8.5		SK10-8.5mm	SK13-8.5mm	SK16-8.5mm	SK20-8.5mm	SK25-8.5mm
11/32			SK10-11/32	SK13-11/32	SK16-11/32	SK20-11/32	SK25-11/32
	9.0		SK10-9.0mm	SK13-9.0mm	SK16-9.0mm	SK20-9.0mm	SK25-9.0mm
	9.5		SK10-9.5mm	SK13-9.5mm	SK16-9.5mm	SK20-9.5mm	SK25-9.5mm
3/8			SK10-3/8	SK13-3/8	SK16-3/8	SK20-3/8	SK25-3/8
	10.0		SK10-10.0mm	SK13-10.0mm	SK16-10.0mm	SK20-10.0mm	SK25-10.0mm
13/32				SK13-13/32	SK16-2-13/32	SK20-2-13/32	SK25-0-13/32
	10.5			SK13-10.5mm	SK16-10.5mm	SK20-10.5mm	SK25-10.5mm
	11.0			SK13-11.0mm	SK16-11.0mm	SK20-11.0mm	SK25-11.0mm
7/16				SK13-7/16	SK16-7/16	SK20-7/16	SK25-7/16
	11.5			SK13-11.5mm	SK16-11.5mm	SK20-11.5mm	SK25-11.5mm
1/16				SK13-1/16	SK16-1/16	SK20-1/16	SK25-1/16
15/32				SK13-15/32	SK16-15/32	SK20-15/32	SK25-15/32
	12.0			SK13-12.0mm	SK16-12.0mm	SK20-12.0mm	SK25-12.0mm
	12.5			SK13-12.5mm	SK16-12.5mm	SK20-12.5mm	SK25-12.5mm
1/2				SK13-1/2	SK16-1/2	SK20-1/2	SK25-1/2
	13.0			SK13-13.0mm	SK16-13.0mm	SK20-13.0mm	SK25-13.0mm
17/32					SK16-17/32	SK20-17/32	SK25-17/32
	13.5				SK16-13.5mm	SK20-13.5mm	SK25-13.5mm
	14.0				SK16-14.0mm	SK20-14.0mm	SK25-14.0mm

SK COLLETS

INCH SIZE	MM SIZE	SK6	SK10	SK13	SK16	SK20	SK25
9/16					SK16-9/16	SK20-9/16	SK25-9/16
	14.5				SK16-14.5mm	SK20-14.5mm	SK25-14.5mm
19/32	15.0				SK16-15.0mm	SK20-15.0mm	SK25-15.0mm
					SK16-19/32	SK20-19/32	SK25-19/32
5/8	15.5				SK16-15.5mm	SK20-15.5mm	SK25-15.5mm
					SK16-5/8	SK20-5/8	SK25-5/8
21/32	16.0				SK16-16.0mm	SK20-16.0mm	SK25-16.0mm
	16.5					SK20-16.5mm	SK25-16.5mm
11/16						SK20-21/32	SK25-21/32
	17.0					SK20-17.0mm	SK25-17.0mm
23/32						SK20-11/16	SK25-11/16
	17.5					SK20-17.5mm	SK25-17.5mm
3/4	18.0					SK20-18.0mm	SK25-18.0mm
						SK20-23/32	SK25-23/32
25/32	18.5					SK20-18.5mm	SK25-18.5mm
	19.0					SK20-19.0mm	SK25-19.0mm
13/16						SK20-3/4	SK25-3/4
	19.5					SK20-19.5mm	SK25-19.5mm
27/32	20.0					SK20-25/32	SK25-25/32
	20.5					SK20-20.0mm	SK25-20.0mm
7/8	20.5					SK20-20.5mm	SK25-20.5mm
						SK20-13/16	SK25-13/16
29/32	21.0						SK25-21mm
							SK25-27/32
15/16	21.5						SK25-21.5mm
	22.0						SK25-22.0mm
31/32							SK25-7/8
	22.5						SK25-22.5mm
15/16	23.0						SK25-23.0mm
	23.5						SK25-29/32
31/32							SK25-23.5mm
	24.0						SK25-15/16
31/32	24.5						SK25-24.0mm
							SK25-24.5mm
31/32	25.0						SK25-31/32
							SK25-25.0mm

AF-COLLETS

ACCURACY:



DIMENSIONS:

DIMENSION	A	B
AF 25	0.457"	1.000"
AF 38	0.581"	1.030"
AF 50	0.741"	1.160"
AF 75	1.141"	2.020"
AF 100	1.462"	2.500"

FEATURES:

01

Collet sizes .172 through 2.000 are guaranteed to .0005 T.I.R. at 2 times the tool diameter, or a maximum one inch from the face of the collet

02

50% more gripping power than any other single taper collet available

03

Collet sizes .062 through .172 are guaranteed .0010 T.I.R. at the nose

04

1/64" collapse. Extended clamping range- .02" - .04"

AF COLLETS

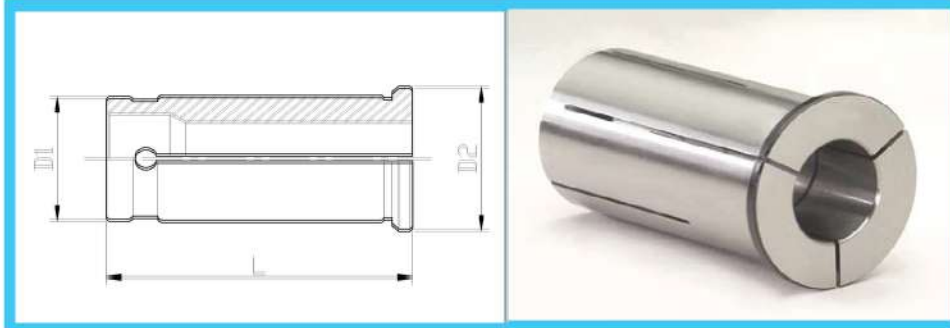
INCH SIZE	MM SIZE	DEC. MM	AF-25 Collets	AF-38 Collets	AF-50 Collets	AF-75 Collets	AF-100 Collets
1/32		0.79					
	1.0	1.00	A25-0100-1.0mm				
3/64		1.19	A25-0119-3/64				
	1.5	1.50	A25-0150-1.5mm	A38-0150-1.5mm			
5/64		1.98	A25-0198-5/64	A38-0198-5/64			
	2.0	2.00	A25-0200-2.0mm	A38-0200-2.0mm			
3/32		2.38	A25-0238-3/32	A38-0238-3/32			
	2.5	2.50	A25-0250-2.5mm	A38-0250-2.5mm			
7/64		2.78	A25-0278-7/64	A38-0278-7/64	A50-0278-7/64	A75-0278-7/64	
	3.0	3.00	A25-0300-3.0mm	A38-0300-3.0mm	A50-0300-3.0mm	A75-0300-3.0mm	
1/8		3.18	A25-0318-1/8	A38-0318-1/8	A50-0318-1/8	A75-0318-1/8	
	3.5	3.50	A25-0350-3.5mm	A38-0350-3.5mm	A50-0350-3.5mm	A75-0350-3.5mm	
9/64		3.57	A25-0357-9/64	A38-0357-9/64	A50-0357-9/64	A75-0357-9/64	
5/32		3.97	A25-0397-5/32	A38-0397-5/32	A50-0397-5/32	A75-0397-5/32	
	4.0	4.00	A25-0400-4.0mm	A38-0400-4.0mm	A50-0400-4.0mm	A75-0400-4.0mm	
11/64		4.37	A25-0437-11/64	A38-0437-11/64	A50-0437-11/64	A75-0437-11/64	
	4.5	4.50	A25-0450-4.5mm	A38-0450-4.5mm	A50-0450-4.5mm	A75-0450-4.5mm	
3/16		4.76	A25-0476-3/16	A38-0476-3/16	A50-0476-3/16	A75-0476-3/16	
	5.0	5.00	A25-0500-5.0mm	A38-0500-5.0mm	A50-0500-5.0mm	A75-0500-5.0mm	A100-0500-5.0mm
13/64		5.16	A25-0516-13/64	A38-0516-13/64	A50-0516-13/64	A75-0516-13/64	A100-0516-13/64
	5.5	5.50	A25-0550-5.5mm	A38-0550-5.5mm	A50-0550-5.5mm	A75-0550-5.5mm	A100-0550-5.5mm
7/32		5.56	A25-0556-7/32	A38-0556-7/32	A50-0556-7/32	A75-0556-7/32	A100-0556-7/32
15/64		5.95	A25-0595-15/64	A38-0595-15/64	A50-0595-15/64	A75-0595-15/64	A100-0595-15/64
	6.0	6.00	A25-0600-6.0mm	A38-0600-6.0mm	A50-0600-6.0mm	A75-0600-6.0mm	A100-0600-6.0mm
1/4		6.35	A25-0635-1/4	A38-0635-1/4	A50-0635-1/4	A75-0635-1/4	A100-0635-1/4
	6.5	6.50	A25-0650-6.5mm	A38-0650-6.5mm	A50-0650-6.5mm	A75-0650-6.5mm	A100-0650-6.5mm
17/64		6.75		A38-0675-17/64	A50-0675-17/64	A75-0675-17/64	A100-0675-17/64
	7.0	7.00		A38-0700-7.0mm	A50-0700-7.0mm	A75-0700-7.0mm	A100-0700-7.0mm
9/32		7.14		A38-0714-9/32	A50-0714-9/32	A75-0714-9/32	A100-0714-9/32
	7.5	7.50		A38-0750-7.5mm	A50-0750-7.5mm	A75-0750-7.5mm	A100-0750-7.5mm
19/64		7.54		A38-0754-19/64	A50-0754-19/64	A75-0754-19/64	A100-0754-19/64
5/16		7.94		A38-0794-5/16	A50-0794-5/16	A75-0794-5/16	A100-0794-5/16
	8.0	8.00		A38-0800-8.0mm	A50-0800-8.0mm	A75-0800-8.0mm	A100-0800-8.0mm
21/64		8.33		A38-0833-21/64	A50-0833-21/64	A75-0833-21/64	A100-0833-21/64
	8.5	8.50		A38-0850-8.5mm	A50-0850-8.5mm	A75-0850-8.5mm	A100-0850-8.5mm
11/32		8.73		A38-0873-11/32	A50-0873-11/32	A75-0873-11/32	A100-0873-11/32
	9.0	9.00		A38-0900-9.0mm	A50-0900-9.0mm	A75-0900-9.0mm	A100-0900-9.0mm
23/64		9.13		A38-0913-23/64	A50-0913-23/64	A75-0913-23/64	A100-0913-23/64
	9.5	9.50		A38-0950-9.5mm	A50-0950-9.5mm	A75-0950-9.5mm	A100-0950-9.5mm
3/8		9.53		A38-0953-3/8	A50-0953-3/8	A75-0953-3/8	A100-0953-3/8

AF COLLETS

INCH SIZE	MM SIZE	DEC. MM	AF-25 Collets	AF-38 Collets	AF-50 Collets	AF-75 Collets	AF-100 Collets
25/64		9.92			A50-0992-25/64	A75-0992-25/64	A100-0992-25/64
	10.0	10.00			A50-1000-10.0mm	A75-1000-10.0mm	A100-1000-10.0mm
13/32		10.32			A50-10A50-13/32	A75-10A75-13/32	A100-10A100-13/32
	10.5	10.50			A50-1050-10.5mm	A75-1050-10.5mm	A100-1050-10.5mm
27/64		10.72			A50-1072-27/64	A75-1072-27/64	A100-1072-27/64
	11.0	11.00			A50-1100-11.0mm	A75-1100-11.0mm	A100-1100-11.0mm
7/16		11.11			A50-1111-7/16	A75-1111-7/16	A100-1111-7/16
	11.5	11.50			A50-1150-11.5mm	A75-1150-11.5mm	A100-1150-11.5mm
29/64		11.51			A50-1151-29/64	A75-1151-29/64	A100-1151-29/64
1/16		1.59			A50-1159-1/16	A75-1159-1/16	A100-1159-1/16
15/32		11.91			A50-1191-15/32	A75-1191-15/32	A100-1191-15/32
	12.0	12.00			A50-1200-12.0mm	A75-1200-12.0mm	A100-1200-12.0mm
31/64		12.30			A50-1230-31/64	A75-1230-31/64	A100-1230-31/64
	12.5	12.50			A50-1250-12.5mm	A75-1250-12.5mm	A100-1250-12.5mm
1/2		12.70			A50-1270-1/2	A75-1270-1/2	A100-1270-1/2
	13.0	13.00				A75-1300-13.0mm	A100-1300-13.0mm
33/64		13.10				A75-1310-33/64	A100-1310-33/64
17/32		13.49				A75-1349-17/32	A100-1349-17/32
	13.5	13.50				A75-1350-13.5mm	A100-1350-13.5mm
35/64		13.89				A75-1389-35/64	A100-1389-35/64
	14.0	14.00				A75-1400-14.0mm	A100-1400-14.0mm
9/16		14.29				A75-1429-9/16	A100-1429-9/16
	14.5	14.50				A75-1450-14.5mm	A100-1450-14.5mm
37/64		14.68				A75-1468-37/64	A100-1468-37/64
	15.0	15.00				A75-1500-15.0mm	A100-1500-15.0mm
19/32		15.08				A75-1508-19/32	A100-1508-19/32
39/64		15.48				A75-1548-39/64	A100-1548-39/64
	15.5	15.50				A75-1550-15.5mm	A100-1550-15.5mm
5/8		15.88				A75-1588-5/8	A100-1588-5/8
	16.0	16.00				A75-1600-16.0mm	A100-1600-16.0mm
41/64		16.27				A75-1627-41/64	A100-1627-41/64
	16.5	16.50				A75-1650-16.5mm	A100-1650-16.5mm
21/32		16.67				A75-1667-21/32	A100-1667-21/32
	17.0	17.00				A75-1700-17.0mm	A100-1700-17.0mm
43/64		17.07				A75-1707-43/64	A100-1707-43/64
11/16		17.46				A75-1746-11/16	A100-1746-11/16
	17.5	17.50				A75-1750-17.5mm	A100-1750-17.5mm
45/64		17.86				A75-1786-45/64	A100-1786-45/64
	18.0	18.00				A75-1800-18.0mm	A100-1800-18.0mm
23/32		18.26				A75-1826-23/32	A100-1826-23/32

STRAIGHT COLLETS FOR MILLING CHUCKS

DIMENSIONS:



FEATURES:

01

Straight collet design eliminates taper tolerance variation between mating surfaces

02

Available in Inch and metric sizes

03

Accuracy - below 5 micron

METRIC SIZES

ID SIZE	ITEM NUMBER	OD SIZE
3mm	MC20-3mm	20mm
4mm	MC20-4mm	20mm
5mm	MC20-5mm	20mm
6mm	MC20-6mm	20mm
8mm	MC20-8mm	20mm
10mm	MC20-10mm	20mm
12mm	MC20-12mm	20mm
14mm	MC20-14mm	20mm
16mm	MC20-16mm	20mm
3mm	MC32-3mm	32mm
4mm	MC32-4mm	32mm
5mm	MC32-5mm	32mm
6mm	MC32-6mm	32mm
8mm	MC32-8mm	32mm
10mm	MC32-10mm	32mm
12mm	MC32-12mm	32mm
14mm	MC32-14mm	32mm
16mm	MC32-16mm	32mm
18mm	MC32-18mm	32mm
20mm	MC32-20mm	32mm
25mm	MC32-25mm	32mm

INCH SIZES

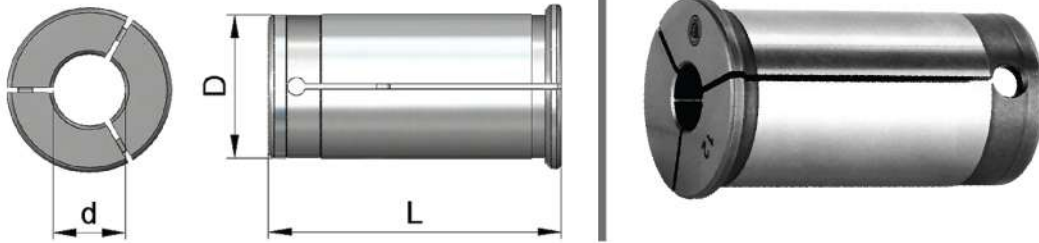
ID SIZE	ITEM NUMBER	OD SIZE
3/16	MC75-3/16	3/4"
1/4	MC75-1/4	3/4"
5/16	MC75-5/16	3/4"
3/8	MC75-3/8	3/4"
7/16	MC75-7/16	3/4"
1/2	MC75-1/2	3/4"
9/16	MC75-9/16	3/4"
5/8	MC75-5/8	3/4"
3/16	MC12-3/16	1-1/4"
1/4	MC12-1/4	1-1/4"
5/16	MC12-5/16	1-1/4"
3/8	MC12-3/8	1-1/4"
7/16	MC12-7/16	1-1/4"
1/2	MC12-1/2	1-1/4"
9/16	MC12-9/16	1-1/4"
5/8	MC12-5/8	1-1/4"
11/16	MC12-11/16	1-1/4"
3/4	MC12-3/4	1-1/4"
13/16	MC12-13/16	1-1/4"
7/8	MC12-7/8	1-1/4"
15/16	MC12-15/16	1-1/4"
1	MC12-1	1-1/4"

COLLETS / REDUCTION SLEEVES

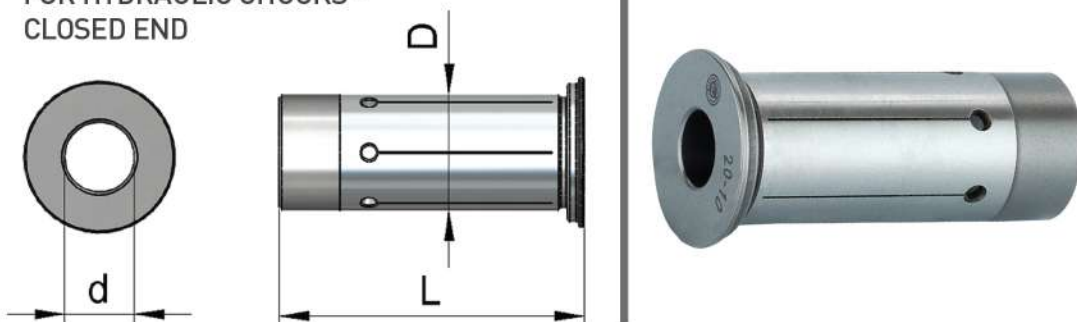
FOR HYDRAULIC CHUCKS

ACCURACY:

REDUCTION SLEEVE
FOR HYDRAULIC CHUCKS -
OPEN END



REDUCTION SLEEVE
FOR HYDRAULIC CHUCKS -
CLOSED END



FEATURES:

01

Accuracy - below 5 micron

02

Available in Inch and metric sizes

03

Designed for high precision clamping

COLLETS / REDUCTION SLEEVES FOR HYDRAULIC CHUCKS

METRIC SIZES

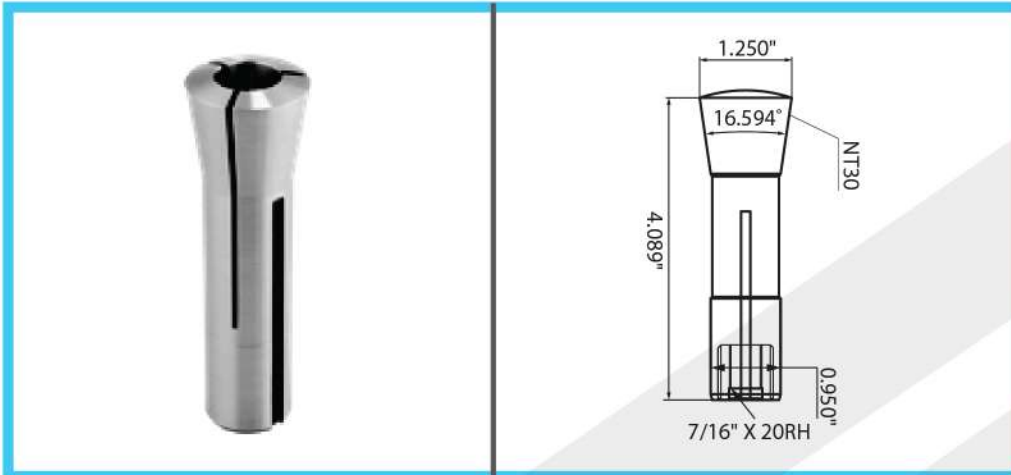
ID SIZE	ITEM NUMBER	OD SIZE
3mm	HC12-3mm	12mm
4mm	HC12-4mm	12mm
5mm	HC12-5mm	12mm
6mm	HC12-6mm	12mm
8mm	HC12-8mm	12mm
3mm	HC20-3mm	20mm
4mm	HC20-4mm	20mm
5mm	HC20-5mm	20mm
6mm	HC20-6mm	20mm
8mm	HC20-8mm	20mm
10mm	HC20-10mm	20mm
12mm	HC20-12mm	20mm
14mm	HC20-14mm	20mm
16mm	HC20-16mm	20mm
3mm	HC32-3mm	32mm
4mm	HC32-4mm	32mm
5mm	HC32-5mm	32mm
6mm	HC32-6mm	32mm
8mm	HC32-8mm	32mm
10mm	HC32-10mm	32mm
12mm	HC32-12mm	32mm
14mm	HC32-14mm	32mm
16mm	HC32-16mm	32mm
18mm	HC32-18mm	32mm
20mm	HC32-20mm	32mm
25mm	HC32-25mm	32mm

INCH SIZES

ID SIZE	ITEM NUMBER	OD SIZE
1/8	HC75-1/8	3/4"
3/16	HC75-3/16	3/4"
1/4	HC75-1/4	3/4"
5/16	HC75-5/16	3/4"
3/8	HC75-3/8	3/4"
7/16	HC75-7/16	3/4"
1/2	HC75-1/2	3/4"
9/16	HC75-9/16	3/4"
5/8	HC75-5/8	3/4"
1/8	HC12-1/8	1-1/4"
3/16	HC12-3/16	1-1/4"
1/4	HC12-1/4	1-1/4"
5/16	HC12-5/16	1-1/4"
3/8	HC12-3/8	1-1/4"
7/16	HC12-7/16	1-1/4"
1/2	HC12-1/2	1-1/4"
9/16	HC12-9/16	1-1/4"
5/8	HC12-5/8	1-1/4"
11/16	HC12-11/16	1-1/4"
3/4	HC12-3/4	1-1/4"
13/16	HC12-13/16	1-1/4"
7/8	HC12-7/8	1-1/4"
15/16	HC12-15/16	1-1/4"
1	HC12-1	1-1/4"

R8-COLLETS

DIMENSIONS:



ACCURACY:

SIZE RANGE	ACCURACY
1/16" - 3/8"	0.0007"
13/32" - 1"	0.0011"
3mm - 10mm	0.0007"
11mm - 20mm	0.0011"

FEATURES:

01

R8 collts do not collapse.
Nominal size

01

Reduces tool change time

02

Collet sets available

02

Hardened and ground

03

Inch & Metric sizes

03

High grade steel for
long wear life

R8 COLLETS

INCH SIZE	MM SIZE	ITEM NUMBER
	2.0	R8-2.0mm
3/32		R8-3/32
	3.0	R8-3.0mm
1/8		R8-1/8
5/32		R8-5/32
	4.0	R8-4.0mm
3/16		R8-3/16
	5.0	R8-5.0mm
7/32		R8-7/32
	6.0	R8-6.0mm
1/4		R8-1/4
	7.0	R8-7.0mm
9/32		R8-9/32
5/16		R8-5/16
	8.0	R8-8.0mm
11/32		R8-11/32
	9.0	R8-9.0mm
3/8		R8-3/8
	10.0	R8-10.0mm
13/32		R8-13/32
	11.0	R8-11.0mm
7/16		R8-7/16
1/16		R8-1/16
15/32		R8-15/32
	12.0	R8-12.0mm
1/2		R8-1/2
	13.0	R8-13.0mm
17/32		R8-17/32
	14.0	R8-14.0mm
9/16		R8-9/16

INCH SIZE	MM SIZE	ITEM NUMBER
	15.0	R8-15.0mm
19/32		R8-19/32
5/8		R8-5/8
	16.0	R8-16.0mm
21/32		R8-21/32
	17.0	R8-17.0mm
11/16		R8-11/16
	18.0	R8-18.0mm
23/32		R8-23/32
	19.0	R8-19.0mm
3/4		R8-3/4
25/32		R8-25/32
	20.0	R8-20.0mm
13/16		R8-13/16
	21.0	R8-21mm
27/32		R8-27/32
	22.0	R8-22.0mm
7/8		R8-7/8
	23.0	R8-23.0mm
29/32		R8-29/32
15/16		R8-15/16
	24.0	R8-24.0mm
31/32		R8-31/32
	25.0	R8-25.0mm
1"		R8-1"

COLLETS SETS ALL TYPES



TYPE	STYLE	DESCRIPTION	NO.OF COLLETS	PART NUMBER
ER-8	Metric	1mm to 5mm x .5mm	9	08-SET9
	Inch	1/16"-3/16" x 1/64	9	08-SET9-INCH
ER-11	Metric	1mm to 7mm x .5mm	13	11-SET13
	Inch	1/16"-1/4" x 1/32	7	11-SET7-INCH
	Inch	1/16" - 1/4" x 1/64	13	11-SET13-INCH
ER-16	Metric	1mm to 10mm x 1mm	10	16-SET10
	Inch	1/16" - 3/8" x 1/32"	11	16-SET11-INCH
ER-20	Metric	2mm to 13mm x 1mm	12	20-SET12
	Inch	1/16" - 1/2" x 1/32"	15	20-SET15-INCH
ER-25	Metric	2mm to 16mm x 1mm	15	25-SET15
	Inch	3/32" - 5/8" x 1/32"	18	25-SET18-INCH
ER-32	Metric	3mm to 20mm x 1mm	18	32-SET18
	Inch	1/8"-3/4" x 1/32"	21	32-SET21-INCH
ER-40	Metric	4mm to 26mm x 1mm	23	40-SET23
	Inch	1/8"-1" x 1/64"	15	40-SET15-INCH
	Inch	1/8" - 1" x 1/32"	29	40-SET29-INCH

** any number of collets sets are available

**all diffeent variety of collet sets are available

02 CONTENTS

- **5C-COLLETS**
ROUND, HEX & SQUARE
- **16C-COLLETS**
ROUND, HEX & SQUARE
- **3J-COLLETS**
ROUND, HEX & SQUARE



COLLETS

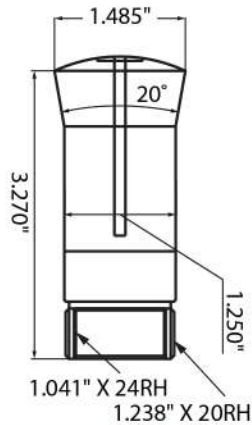
WORK HOLDING



-EFFICIENCY
-RELIABILITY
-FLEXIBILITY

5C-COLLETS

ACCURACY:



ROUND SIZE RANGE	ACCURACY
3/64" - 25/64"	0.0008"
13/32" - 45/64"	0.0011"
23/32" - 1-1/8"	0.0015"
3mm - 10mm	0.0007"
11mm - 20mm	0.0011"
19mm - 26mm	0.0015"

HEX & SQUARE SIZE RANGE	ACCURACY
1/8 - 11/16"	0.0025"
3/4" - 7/8"	0.0031"

FEATURES:

- 01** 5C - Round, Hex & Square Collets
- 02** 5C collets do not collapse. Nominal size
- 03** Collet sets available in INCH & METRIC sizes
- 04** Reduces tool change time
- 05** Hardened and ground
- 06** High grade steel for long wear life

5C COLLETS

INCH SIZE	MM SIZE	5C ROUND COLLETS ITEM #	5C HEX COLLETS ITEM #	5C SQUARE COLLETS ITEM #
	2.0	5C-R-2.0mm	5C-H-2.0mm	5C-S-2.0mm
3/32		5C-R-3/32	5C-H-3/32	5C-S-3/32
	3.0	5C-R-3.0mm	5C-H-3.0mm	5C-S-3.0mm
1/8		5C-R-1/8	5C-H-1/8	5C-S-1/8
5/32		5C-R-5/32	5C-H-5/32	5C-S-5/32
	4.0	5C-R-4.0mm	5C-H-4.0mm	5C-S-4.0mm
3/16		5C-R-3/16	5C-H-3/16	5C-S-3/16
	5.0	5C-R-5.0mm	5C-H-5.0mm	5C-S-5.0mm
7/32		5C-R-7/32	5C-H-7/32	5C-S-7/32
	6.0	5C-R-6.0mm	5C-H-6.0mm	5C-S-6.0mm
1/4		5C-R-1/4	5C-H-1/4	5C-S-1/4
	7.0	5C-R-7.0mm	5C-H-7.0mm	5C-S-7.0mm
9/32		5C-R-9/32	5C-H-9/32	5C-S-9/32
5/16		5C-R-5/16	5C-H-5/16	5C-S-5/16
	8.0	5C-R-8.0mm	5C-H-8.0mm	5C-S-8.0mm
11/32		5C-R-11/32	5C-H-11/32	5C-S-11/32
	9.0	5C-R-9.0mm	5C-H-9.0mm	5C-S-9.0mm
3/8		5C-R-3/8	5C-H-3/8	5C-S-3/8
	10.0	5C-R-10.0mm	5C-H-10.0mm	5C-S-10.0mm
13/32		5C-R-0-13/32	5C-H-0-13/32	5C-S-0-13/32
	11.0	5C-R-11.0mm	5C-H-11.0mm	5C-S-11.0mm
7/16		5C-R-7/16	5C-H-7/16	5C-S-7/16
1/16		5C-R-1/16	5C-H-1/16	5C-S-1/16
15/32		5C-R-15/32	5C-H-15/32	5C-S-15/32
	12.0	5C-R-12.0mm	5C-H-12.0mm	5C-S-12.0mm
1/2		5C-R-1/2	5C-H-1/2	5C-S-1/2
	13.0	5C-R-13.0mm	5C-H-13.0mm	5C-S-13.0mm
17/32		5C-R-17/32	5C-H-17/32	5C-S-17/32
	14.0	5C-R-14.0mm	5C-H-14.0mm	5C-S-14.0mm
9/16		5C-R-9/16	5C-H-9/16	5C-S-9/16
	15.0	5C-R-15.0mm	5C-H-15.0mm	5C-S-15.0mm
19/32		5C-R-19/32	5C-H-19/32	5C-S-19/32
5/8		5C-R-5/8	5C-H-5/8	5C-S-5/8
	16.0	5C-R-16.0mm	5C-H-16.0mm	5C-S-16.0mm
21/32		5C-R-21/32	5C-H-21/32	5C-S-21/32
	17.0	5C-R-17.0mm	5C-H-17.0mm	5C-S-17.0mm
11/16		5C-R-11/16	5C-H-11/16	5C-S-11/16
	18.0	5C-R-18.0mm	5C-H-18.0mm	5C-S-18.0mm
23/32		5C-R-23/32	5C-H-23/32	5C-S-23/32

5C COLLETS

INCH SIZE	MM SIZE	5C ROUND COLLETS ITEM #	5C HEX COLLETS ITEM #	5C SQUARE COLLETS ITEM #
	19.0	5C-R-19.0mm	5C-H-19.0mm	5C-S-19.0mm
3/4		5C-R-3/4	5C-H-3/4	5C-S-3/4
25/32		5C-R-25/32	5C-H-25/32	5C-S-25/32
	20.0	5C-R-20.0mm	5C-H-20.0mm	5C-S-20.0mm
13/16		5C-R-13/16	5C-H-13/16	5C-S-13/16
	21.0	5C-R-21mm	5C-H-21mm	5C-S-21mm
27/32		5C-R-27/32	5C-H-27/32	5C-S-27/32
	22.0	5C-R-22.0mm	5C-H-22.0mm	5C-S-22.0mm
7/8		5C-R-7/8	5C-H-7/8	5C-S-7/8
	23.0	5C-R-23.0mm	5C-H-23.0mm	5C-S-23.0mm
29/32		5C-R-29/32	5C-H-29/32	5C-S-29/32
15/16		5C-R-15/16	5C-H-15/16	5C-S-15/16
	24.0	5C-R-24.0mm	5C-H-24.0mm	5C-S-24.0mm
31/32		5C-R-31/32	5C-H-31/32	5C-S-31/32
	25.0	5C-R-25.0mm	5C-H-25.0mm	5C-S-25.0mm
1"		5C-R-1"	5C-H-1"	5C-S-1"
	26.0	5C-R-26.0mm	5C-H-26.0mm	5C-S-26.0mm
	27.0	5C-R-27.0mm	5C-H-27.0mm	5C-S-27.0mm
	28.0	5C-R-28.0mm	5C-H-28.0mm	5C-S-28.0mm

3J-COLLETS

ACCURACY:



ROUND SIZE RANGE	ACCURACY
3/64" - 25/64"	0.0008"
13/32" - 45/64"	0.0011"
23/32" - 1-1/8"	0.0015"

HEX & SQUARE SIZE RANGE	ACCURACY
1/8 - 11/16"	0.0025"
3/4" - 1-1/2"	0.0031"

FEATURES:

- 01** 3J - Round, Hex & Square Collets
- 02** Hold parts up to 1.750 inches or 40mm in diameter.
- 03** Collet sets available in INCH & METRIC sizes
- 04** Reduces tool change time
- 05** Hardened and ground
- 06** High grade steel for long wear life

3J COLLETS

INCH SIZE	MM SIZE	3J ROUND COLLETS ITEM #	3J HEX COLLETS ITEM #	3J SQUARE COLLETS ITEM #
3/32	2.0	3J-R-2.0mm	3J-H-2.0mm	3J-S-2.0mm
		3J-R-3/32	3J-H-3/32	3J-S-3/32
1/8	3.0	3J-R-3.0mm	3J-H-3.0mm	3J-S-3.0mm
		3J-R-1/8	3J-H-1/8	3J-S-1/8
5/32	4.0	3J-R-5/32	3J-H-5/32	3J-S-5/32
		3J-R-4.0mm	3J-H-4.0mm	3J-S-4.0mm
3/16	5.0	3J-R-3/16	3J-H-3/16	3J-S-3/16
		3J-R-5.0mm	3J-H-5.0mm	3J-S-5.0mm
7/32	6.0	3J-R-7/32	3J-H-7/32	3J-S-7/32
		3J-R-6.0mm	3J-H-6.0mm	3J-S-6.0mm
1/4	7.0	3J-R-1/4	3J-H-1/4	3J-S-1/4
		3J-R-7.0mm	3J-H-7.0mm	3J-S-7.0mm
9/32	8.0	3J-R-9/32	3J-H-9/32	3J-S-9/32
		3J-R-5/16	3J-H-5/16	3J-S-5/16
5/16	9.0	3J-R-8.0mm	3J-H-8.0mm	3J-S-8.0mm
		3J-R-11/32	3J-H-11/32	3J-S-11/32
11/32	10.0	3J-R-9.0mm	3J-H-9.0mm	3J-S-9.0mm
		3J-R-3/8	3J-H-3/8	3J-S-3/8
3/8	11.0	3J-R-10.0mm	3J-H-10.0mm	3J-S-10.0mm
		3J-R-0-13/32	3J-H-0-13/32	3J-S-0-13/32
13/32	12.0	3J-R-11.0mm	3J-H-11.0mm	3J-S-11.0mm
		3J-R-7/16	3J-H-7/16	3J-S-7/16
7/16	13.0	3J-R-1/16	3J-H-1/16	3J-S-1/16
		3J-R-15/32	3J-H-15/32	3J-S-15/32
15/32	14.0	3J-R-12.0mm	3J-H-12.0mm	3J-S-12.0mm
		3J-R-1/2	3J-H-1/2	3J-S-1/2
1/2	15.0	3J-R-13.0mm	3J-H-13.0mm	3J-S-13.0mm
		3J-R-17/32	3J-H-17/32	3J-S-17/32
17/32	16.0	3J-R-14.0mm	3J-H-14.0mm	3J-S-14.0mm
		3J-R-9/16	3J-H-9/16	3J-S-9/16
9/16	17.0	3J-R-15.0mm	3J-H-15.0mm	3J-S-15.0mm
		3J-R-19/32	3J-H-19/32	3J-S-19/32
19/32	18.0	3J-R-5/8	3J-H-5/8	3J-S-5/8
		3J-R-16.0mm	3J-H-16.0mm	3J-S-16.0mm
5/8	19.0	3J-R-21/32	3J-H-21/32	3J-S-21/32
		3J-R-17.0mm	3J-H-17.0mm	3J-S-17.0mm
11/16	18.0	3J-R-11/16	3J-H-11/16	3J-S-11/16
		3J-R-18.0mm	3J-H-18.0mm	3J-S-18.0mm
23/32	19.0	3J-R-23/32	3J-H-23/32	3J-S-23/32
		3J-R-19.0mm	3J-H-19.0mm	3J-S-19.0mm

3J COLLETS

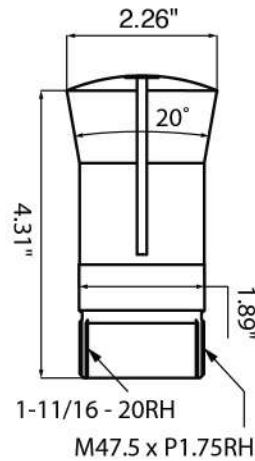
INCH SIZE	MM SIZE	3J ROUND COLLETS ITEM #	3J HEX COLLETS ITEM #	3J SQUARE COLLETS ITEM #
3/4		3J-R-3/4	3J-H-3/4	3J-S-3/4
25/32		3J-R-25/32	3J-H-25/32	3J-S-25/32
	20.0	3J-R-20.0mm	3J-H-20.0mm	3J-S-20.0mm
13/16		3J-R-13/16	3J-H-13/16	3J-S-13/16
	21.0	3J-R-21mm	3J-H-21mm	3J-S-21mm
27/32		3J-R-27/32	3J-H-27/32	3J-S-27/32
	22.0	3J-R-22.0mm	3J-H-22.0mm	3J-S-22.0mm
7/8		3J-R-7/8	3J-H-7/8	3J-S-7/8
	23.0	3J-R-23.0mm	3J-H-23.0mm	3J-S-23.0mm
29/32		3J-R-29/32	3J-H-29/32	3J-S-29/32
15/16		3J-R-15/16	3J-H-15/16	3J-S-15/16
	24.0	3J-R-24.0mm	3J-H-24.0mm	3J-S-24.0mm
31/32		3J-R-31/32	3J-H-31/32	3J-S-31/32
	25.0	3J-R-25.0mm	3J-H-25.0mm	3J-S-25.0mm
1"		3J-R-1"	3J-H-1"	3J-S-1"
	26.0	3J-R-26.0mm	3J-H-26.0mm	3J-S-26.0mm
1 1/32		3J-R-1-1/32	3J-H-1-1/32	3J-S-1-1/32
1 1/16		3J-R-1-1/16	3J-H-1-1/16	3J-S-1-1/16
	27.0	3J-R-27.0mm	3J-H-27.0mm	3J-S-27.0mm
1 3/32		3J-R-1-3/32	3J-H-1-3/32	3J-S-1-3/32
	28.0	3J-R-28.0mm	3J-H-28.0mm	3J-S-28.0mm
1 1/8		3J-R-1-1/8	3J-H-1-1/8	3J-S-1-1/8
	29.0	3J-R-29.0mm	3J-H-29.0mm	3J-S-29.0mm
1 5/32		3J-R-1-5/32	3J-H-1-5/32	3J-S-1-5/32
	30.0	3J-R-30.0mm	3J-H-30.0mm	3J-S-30.0mm
1 3/16		3J-R-1-3/16	3J-H-1-3/16	3J-S-1-3/16
1 7/32		3J-R-1-7/32	3J-H-1-7/32	3J-S-1-7/32
	31.0	3J-R-31.0mm	3J-H-31.0mm	3J-S-31.0mm
1 1/4		3J-R-1-1/4	3J-H-1-1/4	3J-S-1-1/4
	32.0	3J-R-32.0mm	3J-H-32.0mm	3J-S-32.0mm
1 9/32		3J-R-1-9/32	3J-H-1-9/32	3J-S-1-9/32
	33.0	3J-R-33.0mm	3J-H-33.0mm	3J-S-33.0mm
1 5/16		3J-R-1-5/16	3J-H-1-5/16	3J-S-1-5/16
	34.0	3J-R-34.0mm	3J-H-34.0mm	3J-S-34.0mm
1 11/32		3J-R-1-11/32	3J-H-1-11/32	3J-S-1-11/32
1 3/8		3J-R-1-3/8	3J-H-1-3/8	3J-S-1-3/8
	35.0	3J-R-35.0mm	3J-H-35.0mm	3J-S-35.0mm
1 13/32		3J-R-1-13/32	3J-H-1-13/32	3J-S-1-13/32
	36.0	3J-R-36.0mm	3J-H-36.0mm	3J-S-36.0mm
1 7/16		3J-R-1-7/16	3J-H-1-7/16	3J-S-1-7/16

3J COLLETS

INCH SIZE	MM SIZE	3J ROUND COLLETS ITEM #	3J HEX COLLETS ITEM #	3J SQUARE COLLETS ITEM #
	37.0	3J-R-37.0mm	3J-H-37.0mm	3J-S-37.0mm
1 15/32		3J-R-1-15/32	3J-H-1-15/32	3J-S-1-15/32
	38.0	3J-R-38.0mm	3J-H-38.0mm	3J-S-38.0mm
1 1/2		3J-R-1-1/2	3J-H-1-1/2	3J-S-1-1/2
1 17/32		3J-R-1-17/32	3J-H-1-17/32	3J-S-1-17/32
	39.0	3J-R-39.0mm	3J-H-39.0mm	3J-S-39.0mm
1 9/16		3J-R-1-9/16	3J-H-1-9/16	3J-S-1-9/16
	40.0	3J-R-40.0mm	3J-H-40.0mm	3J-S-40.0mm
1 19/32		3J-R-1-19/32	3J-H-1-19/32	3J-S-1-19/32
1 5/8		3J-R-1-5/8	3J-H-1-5/8	3J-S-1-5/8
1 21/32		3J-R-1-21/32	3J-H-1-21/32	3J-S-1-21/32
1 11/16		3J-R-1-11/16	3J-H-1-11/16	3J-S-1-11/16
1 23/32		3J-R-1-23/32	3J-H-1-23/32	3J-S-1-23/32
1 3/4		3J-R-1-3/4	3J-H-1-3/4	3J-S-1-3/4

16C-COLLETS

ACCURACY:



ROUND SIZE RANGE	ACCURACY
1/16" - 25/64"	0.0008"
13/32" - 45/64"	0.0011"
23/32" - 1-5/8"	0.0015"

HEX & SQUARE SIZE RANGE	ACCURACY
1/8 - 11/16"	0.0025"
3/4" - 1-3/8"	0.0031"

FEATURES:

01

16C - Round, Hex & Square Collets

04

Reduces tool change time

02

Hold parts up to 1.625 inches or 40mm in diameter.

05

Hardened and ground

03

Collet sets available in INCH & METRIC sizes

06

High grade steel for long wear life

16C COLLETS

INCH SIZE	MM SIZE	16C ROUND COLLETS ITEM #	16C HEX COLLETS ITEM #	16C SQUARE COLLETS ITEM #
	2.0	16C-R-2.0mm	16C-H-2.0mm	16C-S-2.0mm
3/32		16C-R-3/32	16C-H-3/32	16C-S-3/32
	3.0	16C-R-3.0mm	16C-H-3.0mm	16C-S-3.0mm
1/8		16C-R-1/8	16C-H-1/8	16C-S-1/8
5/32		16C-R-5/32	16C-H-5/32	16C-S-5/32
	4.0	16C-R-4.0mm	16C-H-4.0mm	16C-S-4.0mm
3/16		16C-R-3/16	16C-H-3/16	16C-S-3/16
	5.0	16C-R-5.0mm	16C-H-5.0mm	16C-S-5.0mm
7/32		16C-R-7/32	16C-H-7/32	16C-S-7/32
	6.0	16C-R-6.0mm	16C-H-6.0mm	16C-S-6.0mm
1/4		16C-R-1/4	16C-H-1/4	16C-S-1/4
	7.0	16C-R-7.0mm	16C-H-7.0mm	16C-S-7.0mm
9/32		16C-R-9/32	16C-H-9/32	16C-S-9/32
5/16		16C-R-5/16	16C-H-5/16	16C-S-5/16
	8.0	16C-R-8.0mm	16C-H-8.0mm	16C-S-8.0mm
11/32		16C-R-11/32	16C-H-11/32	16C-S-11/32
	9.0	16C-R-9.0mm	16C-H-9.0mm	16C-S-9.0mm
3/8		16C-R-3/8	16C-H-3/8	16C-S-3/8
	10.0	16C-R-10.0mm	16C-H-10.0mm	16C-S-10.0mm
13/32		16C-R-0-13/32	16C-H-0-13/32	16C-S-0-13/32
	11.0	16C-R-11.0mm	16C-H-11.0mm	16C-S-11.0mm
7/16		16C-R-7/16	16C-H-7/16	16C-S-7/16
1/16		16C-R-1/16	16C-H-1/16	16C-S-1/16
15/32		16C-R-15/32	16C-H-15/32	16C-S-15/32
	12.0	16C-R-12.0mm	16C-H-12.0mm	16C-S-12.0mm
1/2		16C-R-1/2	16C-H-1/2	16C-S-1/2
	13.0	16C-R-13.0mm	16C-H-13.0mm	16C-S-13.0mm
17/32		16C-R-17/32	16C-H-17/32	16C-S-17/32
	14.0	16C-R-14.0mm	16C-H-14.0mm	16C-S-14.0mm
9/16		16C-R-9/16	16C-H-9/16	16C-S-9/16
	15.0	16C-R-15.0mm	16C-H-15.0mm	16C-S-15.0mm
19/32		16C-R-19/32	16C-H-19/32	16C-S-19/32
5/8		16C-R-5/8	16C-H-5/8	16C-S-5/8
	16.0	16C-R-16.0mm	16C-H-16.0mm	16C-S-16.0mm
21/32		16C-R-21/32	16C-H-21/32	16C-S-21/32
	17.0	16C-R-17.0mm	16C-H-17.0mm	16C-S-17.0mm
11/16		16C-R-11/16	16C-H-11/16	16C-S-11/16
	18.0	16C-R-18.0mm	16C-H-18.0mm	16C-S-18.0mm
23/32		16C-R-23/32	16C-H-23/32	16C-S-23/32

16C COLLETS

INCH SIZE	MM SIZE	16C ROUND COLLETS ITEM #	16C HEX COLLETS ITEM #	16C SQUARE COLLETS ITEM #
	19.0	16C-R-19.0mm	16C-H-19.0mm	16C-S-19.0mm
3/4		16C-R-3/4	16C-H-3/4	16C-S-3/4
25/32		16C-R-25/32	16C-H-25/32	16C-S-25/32
	20.0	16C-R-20.0mm	16C-H-20.0mm	16C-S-20.0mm
13/16		16C-R-13/16	16C-H-13/16	16C-S-13/16
	21.0	16C-R-21mm	16C-H-21mm	16C-S-21mm
27/32		16C-R-27/32	16C-H-27/32	16C-S-27/32
	22.0	16C-R-22.0mm	16C-H-22.0mm	16C-S-22.0mm
7/8		16C-R-7/8	16C-H-7/8	16C-S-7/8
	23.0	16C-R-23.0mm	16C-H-23.0mm	16C-S-23.0mm
29/32		16C-R-29/32	16C-H-29/32	16C-S-29/32
15/16		16C-R-15/16	16C-H-15/16	16C-S-15/16
	24.0	16C-R-24.0mm	16C-H-24.0mm	16C-S-24.0mm
31/32		16C-R-31/32	16C-H-31/32	16C-S-31/32
	25.0	16C-R-25.0mm	16C-H-25.0mm	16C-S-25.0mm
1"		16C-R-1"	16C-H-1"	16C-S-1"
	26.0	16C-R-26.0mm	16C-H-26.0mm	16C-S-26.0mm
1 1/32		16C-R-1-1/32	16C-H-1-1/32	16C-S-1-1/32
1 1/16		16C-R-1-1/16	16C-H-1-1/16	16C-S-1-1/16
	27.0	16C-R-27.0mm	16C-H-27.0mm	16C-S-27.0mm
1 3/32		16C-R-1-3/32	16C-H-1-3/32	16C-S-1-3/32
	28.0	16C-R-28.0mm	16C-H-28.0mm	16C-S-28.0mm
1 1/8		16C-R-1-1/8	16C-H-1-1/8	16C-S-1-1/8
	29.0	16C-R-29.0mm	16C-H-29.0mm	16C-S-29.0mm
1 5/32		16C-R-1-5/32	16C-H-1-5/32	16C-S-1-5/32
	30.0	16C-R-30.0mm	16C-H-30.0mm	16C-S-30.0mm
1 3/16		16C-R-1-3/16	16C-H-1-3/16	16C-S-1-3/16
1 7/32		16C-R-1-7/32	16C-H-1-7/32	16C-S-1-7/32
	31.0	16C-R-31.0mm	16C-H-31.0mm	16C-S-31.0mm
1 1/4		16C-R-1-1/4	16C-H-1-1/4	16C-S-1-1/4
	32.0	16C-R-32.0mm	16C-H-32.0mm	16C-S-32.0mm
1 9/32		16C-R-1-9/32	16C-H-1-9/32	16C-S-1-9/32
	33.0	16C-R-33.0mm	16C-H-33.0mm	16C-S-33.0mm
1 5/16		16C-R-1-5/16	16C-H-1-5/16	16C-S-1-5/16
	34.0	16C-R-34.0mm	16C-H-34.0mm	16C-S-34.0mm
1 11/32		16C-R-1-11/32	16C-H-1-11/32	16C-S-1-11/32
1 3/8		16C-R-1-3/8	16C-H-1-3/8	16C-S-1-3/8
	35.0	16C-R-35.0mm	16C-H-35.0mm	16C-S-35.0mm
1 13/32		16C-R-1-13/32	16C-H-1-13/32	16C-S-1-13/32

16C COLLETS

INCH SIZE	MM SIZE	16C ROUND COLLETS ITEM #	16C HEX COLLETS ITEM #	16C SQUARE COLLETS ITEM #
	36.0	3J-R-36.0mm	3J-H-36.0mm	3J-S-36.0mm
1 7/16		3J-R-1-7/16	3J-H-1-7/16	3J-S-1-7/16
	37.0	3J-R-37.0mm	3J-H-37.0mm	3J-S-37.0mm
1 15/32		3J-R-1-15/32	3J-H-1-15/32	3J-S-1-15/32
	38.0	3J-R-38.0mm	3J-H-38.0mm	3J-S-38.0mm
1 1/2		3J-R-1-1/2	3J-H-1-1/2	3J-S-1-1/2
1 17/32		3J-R-1-17/32	3J-H-1-17/32	3J-S-1-17/32
	39.0	3J-R-39.0mm	3J-H-39.0mm	3J-S-39.0mm
1 9/16		3J-R-1-9/16	3J-H-1-9/16	3J-S-1-9/16
	40.0	3J-R-40.0mm	3J-H-40.0mm	3J-S-40.0mm
1 19/32		3J-R-1-19/32	3J-H-1-19/32	3J-S-1-19/32
1 5/8		3J-R-1-5/8	3J-H-1-5/8	3J-S-1-5/8
1 21/32		3J-R-1-21/32	3J-H-1-21/32	3J-S-1-21/32
1 11/16		3J-R-1-11/16	3J-H-1-11/16	3J-S-1-11/16
1 23/32		3J-R-1-23/32	3J-H-1-23/32	3J-S-1-23/32
1 3/4		3J-R-1-3/4	3J-H-1-3/4	3J-S-1-3/4